



USC Union Central Building Fan Coil Replacement

SC Project # H40-9507
USC Project # CP00335772
MKA GMC # 10021-B

PROJECT MANUAL December, 2011

Designed by:

MKA

Michael Keeshen & Associates

A GOODWYN, MILLS AND CAWOOD COMPANY

TABLE OF CONTENTS

Project Number: H40-9507

Project Name: USC Union Central Building Fan Coil Replacement

Section I **Number of Pages**

Table of Contents	1
Invitation for Minor Construction Quotes (SE-311 – 2011 Edition)	1
Basic Instructions to Bidders	1
Standard Bid Quote (SE-331 – 2011 Edition)	1
00501-OSE Standard Modifications to AIA A101 – 2011 Edition	3
00811-OSE Standard Supplementary Conditions	25
Certificate of Independent Price Determination (May 2008)	1
USC Supplemental General Conditions for Construction Projects	3
Contractor’s One-Year Guarantee	1
Non-Resident Taxpayer Affidavit	2
Income Tax Credit (Minority Business)	1
Section II - Technical Specifications:	
Fan Coil Unit (Basis of Design Specification)	8

SE-311

Invitation for Minor Construction Quotes

SCBO NOTES 2, 4 and 5 APPLY TO THIS INVITATION FOR QUOTES

PROJECT NAME: USC Union Central Building Fan Coil Replacement

PROJECT NUMBER: H40-9507 PROJECT LOCATION: Union, South Carolina

BID SECURITY REQUIRED? Yes No

PERFORMANCE BOND REQUIRED? Yes No

PAYMENT BOND REQUIRED? Yes No CONSTRUCTION COST RANGE: Less than \$50,000

DESCRIPTION OF PROJECT:

The scope of this project includes the removal and replacement of 12 fan coil units in the Central Building at USC Union. Small and minority business participation is encouraged.

A/E NAME: Michael Keeshen & Associates (A GMC Company) A/E CONTACT: Matthew King

ADDRESS: 101 East Washington Street PHONE: 864-233-2804 Fax: 864-233-6567

CITY: Greenville STATE: sc ZIP: 29601 E-MAIL: matthew.king@gmcnetwork.com

PLANS ON FILE AT: AGC: _____

DODGE: _____

OTHER: _____

PLANS MAY BE OBTAINED FROM: http://purchasing.sc.edu - see Facilities/Construction Solicitations & Awards

PLAN DEPOSIT AMOUNT: NONE IS DEPOSIT REFUNDABLE? Yes No

PRE-QUOTE CONFERENCE? Yes No MANDATORY ATTENDANCE? Yes No

DATE: 1/5/2012 TIME: 10:00 AM PLACE: 309 E. Academy St., Union, SC, Room 204, 2nd Fl. CR

AGENCY: University of South Carolina Lancaster

NAME AND TITLE OF AGENCY COORDINATOR: Glen Jackson, Project Manager

ADDRESS: 476 Hubbard Drive PHONE: 803-313-7040 Fax: 803-313-7106

CITY: Lancaster STATE: SC ZIP: 29720 E-MAIL: gjackson@fmc.sc.edu

IFQ CLOSING DATE: 1/12/2012 TIME: 2:30 PM LOCATION: 743 Greene St., Columbia, SC, CR53

IFQ DELIVERY ADDRESSES:

HAND-DELIVERY:

University of South Carolina
743 Greene Street, Columbia, SC 29208
Attn: Kay Keisler

MAIL SERVICE:

University of South Carolina
743 Greene Street, Columbia, SC 29208
Attn: Kay Keisler

IS PROJECT WITHIN AGENCY CONSTRUCTION CERTIFICATION? (Agency MUST check one) YES NO

APPROVED BY: _____ (Date)

(State Engineer)

(Date)

BASIC INSTRUCTIONS TO BIDDERS

PROJECT NUMBER: H40-9507 / CP00335772

PROJECT NAME: USC Union Central Building Fan Coil Replacement

1. CONTRACTOR SHALL REMOVE EXISTING FAN COIL UNITS, AND FURNISH AND INSTALL 12 NEW FAN COIL UNITS AS DESCRIBED IN THESE DOCUMENTS. THESE UNITS SHALL RECONNECT TO EXISTING PIPING AND CONTRACTOR SHALL ASSUME THE REUSE OF EXISTING VALVES. CONTRACTOR SHALL BE RESPONSIBLE FOR STARTING AND TESTING. CONTRACTOR SHALL PROVIDE A 1 YEAR LABOR WARRANTY.
2. CONSTRUCTION TIME IS 60 DAYS FROM THE DATE OF COMMENCEMENT TO THE DATE OF SUBSTANTIAL COMPLETION.
3. THIS PROJECT MANUAL WILL CONSTITUTE THE BASE BID. THERE ARE NO ALTERNATES.

SE-331
Quote Form

2011 Edition

Quotes shall be submitted only on SE-331

QUOTE SUBMITTED BY: _____
(Offeror's Name)

QUOTE SUBMITTED TO: _____ University of South Carolina
(Agency Name)

FOR PROJECT: H40-9507 USC Union Central Building Fan Coil Replacement
(Number) (Name)

OFFER

1. In response to the Form SE-311, *Request for Minor Construction Quotes*, and in compliance with the *Instructions to Bidders* for the above-named Project, the undersigned **OFFEROR** proposes and agrees, if this Quote is accepted, to enter into a Contract with the **AGENCY** in the form included in the Solicitation Documents, and to perform all Work as specified or indicated in the Solicitation Documents, for the prices and within the time frames indicated in the Solicitation and in accordance with the other terms and conditions stated.

2. Pursuant to Section 11-32-3030(1) of the SC Code of Laws, as amended, **OFFEROR** has submitted Bid Security as follows in the amount and form required by the Solicitation Documents:

Bid Bond with Power of Attorney Electronic Bid Bond Cashier's Check
(OFFEROR check one, if Bid Security is required)

3. **OFFEROR** acknowledges the receipt of the following Addenda to the Solicitation documents and has incorporated the effects of said Addenda into its Quote:

ADDENDUM No: _____

4. **OFFEROR** agrees that this Quote, including all bid alternates, if any, may not be revoked or withdrawn after the opening of bids, and shall remain open for acceptance for a period of 30 Days following the Quote Date, or for such longer period of time that **OFFEROR** may agree to in writing upon request of the **AGENCY**.

5. **OFFEROR** agrees that from the compensation to be paid, the **AGENCY** shall retain as Liquidated Damages the amount of for each calendar day the actual construction time required to achieve Substantial Completion exceeds the specified or adjusted Contract Time for Substantial Completion, as provided in the Contract Documents.

6. **OFFEROR** herewith submits its offer to provide all labor, materials, equipment, tools of trades and labor, accessories, appliances, warranties and guarantees, and to pay all royalties, fee, permits, licenses and applicable taxes necessary to complete the following items of construction work:

6.1 **BASE BID** _____
(enter BASE BID in figures only)

6.2 **ALTERNATE NO. 1** N/A to be **ADDED/DEDUCTED** from **BASE BID**.
(circle one)

6.3 **ALTERNATE NO. 2** N/A to be **ADDED/DEDUCTED** from **BASE BID**.
(circle one)

FEIN/SSN: _____

SC Contractor's License Number: _____

Address: _____

Telephone/Fax _____

E-mail _____

This Quote is hereby submitted on behalf of the Offeror named above.

BY: _____
(Signature of Offeror's Representative)

(Print or Type Name of Offeror's Representative)

ITS: _____

OSE FORM 00501
STANDARD MODIFICATIONS TO AGREEMENT BETWEEN
OWNER AND CONTRACTOR

OWNER: University of South Carolina

PROJECT NUMBER: H40-9507

PROJECT NAME: USC Union Central Building Fan Coil Replacement

1. STANDARD MODIFICATIONS TO AIA A101-2007

1.1. These Standard Modifications amend or supplement the *Standard Form of Agreement Between Owner and Contractor* (AIA Document A101-2007) and other provisions of Bidding and Contract Documents as indicated below.

1.2. All provisions of A101-2007, which are not so amended or supplemented, remain in full force and effect.

2. MODIFICATIONS TO A101

2.1. *Insert the following at the end of Article 1:*

Any reference in this document to the Agreement between the Owner and Contractor, AIA Document A101, or some abbreviated reference thereof, shall mean the AIA A101, 2007 Edition as modified by OSE Form 00501 – Standard Modification to Agreement Between Owner and Contractor. Any reference in this document to the General Conditions of the Contract for Construction, AIA Document A201, or some abbreviated reference thereof, shall mean the AIA A201, 2007 Edition as modified by OSE Form 00811 – Standard Supplementary Conditions.

2.2. *Delete Section 3.1 and substitute the following:*

3.1 The Date of Commencement of the Work shall be the date fixed in a Notice to Proceed issued by the Owner. The Owner shall issue the Notice to Proceed to the Contractor in writing, no less than seven days prior to the Date of Commencement. Unless otherwise provided elsewhere in the contract documents, and provided the contractor has secured all required insurance and surety bonds, the contractor may commence work immediately after receipt of the Notice to Proceed.

2.3. *Delete Section 3.2 and substitute the following:*

3.2 The Contract Time shall be measured from the Date of Commencement as provided in Section 9(a) of the Bid Form (SE-330) for this Project. Contractor agrees that if the Contractor fails to achieve Substantial Completion of the Work within the Contract Time, the Owner shall be entitled to withhold or recover from the Contractor liquidated damages in the amounts set forth in Section 9(b) of the Bid Form (SE-330), subject to adjustments of this Contract Time as provided in the Contract Documents.

2.4. *In Section 5.1.1, insert the words "and Owner" after the phrase "Payment submitted to the Architect."*

2.5. *Delete Section 5.1.3 and substitute the following:*

5.1.3 The Owner shall make payment of the certified amount to the Contractor not later than 21 days after receipt of the Application for Payment.

2.6. *In Section 5.1.6, Insert the following after the phrase "Subject to other provisions of the Contract Documents":*

and subject to Title 12, Chapter 8, Section 550 of the South Carolina Code of Laws, as amended (Withholding Requirements for Payments to Non-Residents)

In the spaces provided in Sub-Sections 1 and 2 for inserting the retainage amount, insert "three and one-half percent (3.5%)."

OSE FORM 00501
STANDARD MODIFICATIONS TO AGREEMENT BETWEEN
OWNER AND CONTRACTOR

2.7. *In Section 5.1.8, delete the word "follows" and the colon and substitute the following:*

set forth in S.C. Code Ann. § 11-35-3030(4).

2.8. *In Section 5.1.9, delete the words "Except with the Owner's prior approval, the" before the word "Contractor."*

2.9. *In Section 5.2.2, delete the number 30 and substitute the number 21, delete everything following the words "Certificate for Payment" and place a period at the end of the resulting sentence.*

2.10. *Delete the language of Sections 6.1 and 6.2 and substitute the word "Reserved" for the deleted language of each Section .*

2.11. *Delete the language of Section 8.2 and substitute the word "Reserved."*

2.12. *In Section 8.3, make the word "Representative" in the title plural, delete everything following the title, and substitute the following:*

8.3.1 Owner designates the individual listed below as its Senior Representative ("Owner's Senior Representative"), which individual has the responsibility for and, subject to Section 7.2.1 of the General Conditions, the authority to resolve disputes under Section 15.6 of the General Conditions:

Name: Tom Opal

Title: Senior Project Manager, University of South Carolina

Address: 743 Greene Street, Columbia, South Carolina 29208

Telephone: 803-777-7076 FAX: 803-777-8739

Email: tnopal@fmc.sc.edu

8.3.2 Owner designates the individual listed below as its Owner's Representative, which individual has the authority and responsibility set forth in Section 2.1.1 of the General Conditions:

Name: Glen Jackson

Title: Project Manager, University of South Carolina Lancaster

Address: 476 Hibbard Drive, Lancaster, South Carolina 29720

Telephone: 803-313-7040 FAX: 803-313-7106

Email: gjackson@fmc.sc.edu

2.13. *In Section 8.4, make the word "Representative" in the title plural, delete everything following the title, and substitute the following:*

8.4.1 Contractor designates the individual listed below as its Senior Representative ("Contractor's Senior Representative"), which individual has the responsibility for and authority to resolve disputes under Section 15.6 of the General Conditions:

Name: _____

Title: _____

Address: _____

Telephone: _____ FAX: _____

Email: _____

OSE FORM 00501
STANDARD MODIFICATIONS TO AGREEMENT BETWEEN
OWNER AND CONTRACTOR

8.4.2 Contractor designates the individual listed below as its Contractor's Representative, which individual has the authority and responsibility set forth in Section 3.1.1 of the General Conditions:

Name: _____
Title: _____
Address: _____
Telephone: _____ FAX: _____
Email: _____

2.14. *Add the following Section 8.6.1:*

8.6.1 The Architect's representative:

Name: Matthew King
Title: Architect, Michael Keeshen & Associates (A GMC Company)
Address: 101 East Washington Street, Greenville, SC 29601
Telephone: 864-233-2804 FAX: 864-233-6567
Email: matthew.king@gmcnetwork.com

2.15. *In Section 9.1.7, Sub-Section 2, list the following documents in the space provided for listing documents:*

Invitation for Construction Bids (SE-310)
Instructions to Bidders (AIA Document A701-1997)
Standard Supplemental Instructions to Bidders (OSE Form 00201)
Contractor's Bid (Completed SE-330)
Notice of Intent to Award (Completed SE-370)
Certificate of procurement authority issued by the SC Budget & Control Board

2.16. *In Article 10, delete everything after the first sentence.*

END OF DOCUMENT

OSE FORM 00811

STANDARD SUPPLEMENTARY CONDITIONS

OWNER: University of South Carolina

PROJECT NUMBER: H40-9507

PROJECT NAME: USC Union Central Building Fan Coil Replacement

1 GENERAL CONDITIONS

The *General Conditions of the Contract for Construction*, AIA Document A201, 2007 Edition, Articles 1 through 15 inclusive, is a part of this Contract and is incorporated as fully as if herein set forth. For brevity, AIA Document A201 is also referred to in the Contract Documents collectively as the "General Conditions."

2 STANDARD SUPPLEMENTARY CONDITIONS

2.1 The following supplements modify, delete and/or add to the General Conditions. Where any portion of the General Conditions is modified or any paragraph, Section or clause thereof is modified or deleted by these Supplementary Conditions, the unaltered provisions of the General Conditions shall remain in effect.

2.2 Unless otherwise stated, the terms used in these Standard Supplementary Conditions which are defined in the General Conditions have the meanings assigned to them in the General Conditions.

3 MODIFICATIONS TO A201-2007

3.1 *Insert the following at the end of Section 1.1.1:*

Any reference in this document to the Agreement between the Owner and Contractor, AIA Document A101, or some abbreviated reference thereof, shall mean the AIA A101, 2007 Edition as modified by OSE Form 00501 – Standard Modification to Agreement Between Owner and Contractor. Any reference in this document to the General Conditions of the Contract for Construction, AIA Document A201, or some abbreviated reference thereof, shall mean the AIA A201, 2007 Edition as modified by OSE Form 00811 – Standard Supplementary Conditions.

3.2 *Delete the language of Section 1.1.8 and substitute the word "Reserved."*

3.3 *Add the following Section 1.1.9:*

1.1.9 NOTICE TO PROCEED

Notice to Proceed is a document issued by the Owner to the Contractor, with a copy to the Architect, directing the Contractor to begin prosecution of the Work in accordance with the requirements of the Contract Documents. The Notice to Proceed shall fix the date on which the Contract Time will commence.

3.4 *Insert the following at the end of Section 1.2.1:*

In the event of patent ambiguities within or between parts of the Contract Documents, the contractor shall 1) provide the better quality or greater quantity of Work, or 2) comply with the more stringent requirement, either or both in accordance with the Architect's interpretation.

3.5 *Delete Section 1.5.1 and substitute the following:*

1.5.1 The Architect and the Architect's consultants shall be deemed the authors and owners of their respective Instruments of Service and will retain all common law, statutory and other reserved rights, including copyrights. The Contractor, Subcontractors, Sub-subcontractors, and material or equipment suppliers shall not own or claim a copyright in the Instruments of Service. Submittal or distribution to meet official regulatory requirements or for other purposes in connection with this Project is not to be construed as a violation of the Architect's or Architect's consultants' reserved rights.

OSE FORM 00811

STANDARD SUPPLEMENTARY CONDITIONS

3.6 *Delete Section 2.1.1 and substitute the following:*

2.1.1 The Owner is the person or entity identified as such in the Agreement and is referred to throughout the Contract Documents as if singular in number. The Owner shall designate in writing a representative who shall have express authority to bind the Owner with respect to all matters requiring the Owner’s approval or authorization, except as provided in Section 7.1.2. Except as otherwise provided in Section 4.2.1, the Architect does not have such authority. The term “Owner” means the Owner or the Owner’s Representative. [Reference § 8.2 of the Agreement.]

3.7 *Delete Section 2.1.2 and substitute the following:*

2.1.2 The Owner shall furnish to the Contractor within fifteen days after receipt of a written request, information necessary and relevant for the Contractor to post Notice of Project Commencement pursuant to Title 29, Chapter 5, Section 23 of the South Carolina Code of Laws, as amended..

3.8 *Delete Section 2.2.3 and substitute the following:*

2.2.3 The Owner shall furnish surveys describing physical characteristics, legal limitations and utility locations for the site of the Project, and a legal description of the site. Subject to the Contractor’s obligations, including those in Section 3.2, the Contractor shall be entitled to rely on the accuracy of information furnished by the Owner pursuant to this Section but shall exercise proper precautions relating to the safe performance of the Work.

3.9 *Replace the period at the end of the last sentence of Section 2.2.4 with a semicolon and insert the following after the inserted semicolon:*

“however, the Owner does not warrant the accuracy of any such information requested by the Contractor that is not otherwise required of the Owner by the Contract Documents. Neither the Owner nor the Architect shall be required to conduct investigations or to furnish the Contractor with any information concerning subsurface characteristics or other conditions of the area where the Work is to be performed beyond that which is provide in the Contract Documents.”

3.10 *Delete Section 2.2.5 and substitute the following:*

2.2.5 Unless otherwise provided in the Contract Documents, the Owner shall furnish to the Contractor with ten copies of the Contract Documents. The Contractor may make reproductions of the Contract Documents pursuant to Section 1.5.2. All copies of the drawings and specifications, except the Contractor’s record set, shall be returned or suitably accounted for to the Owner, on request, upon completion of the Work.

3.11 *Add the following Sections 2.2.6 and 2.2.7:*

2.2.6 The Owner assumes no responsibility for any conclusions or interpretation made by the Contractor based on information made available by the Owner.

2.2.7 The Owner shall obtain, at its own cost, general building and specialty inspection services as required by the Contract Documents. The Contractor shall be responsible for payment of any charges imposed for reinspections.

3.12 *Delete Section 2.4 and substitute the following:*

2.4 If the Contractor defaults or neglects to carry out the Work in accordance with the Contract Documents and fails within a ten-day period after receipt of written notice from the Owner to commence and continue correction of such default or neglect, including but not limited to providing necessary resources, with diligence and promptness, the Owner may, without prejudice to other remedies the Owner may have, correct such deficiencies. In such case an appropriate Change Directive shall be issued deducting from payments then or thereafter due the Contractor the reasonable cost of correcting such deficiencies, including Owner’s expenses and compensation for the Architect’s additional services made necessary by such default, neglect or failure. If payments then or thereafter due the Contractor are not sufficient to cover such amounts, the Contractor shall pay the difference to the Owner.

OSE FORM 00811

STANDARD SUPPLEMENTARY CONDITIONS

3.13 *Insert the following at the end of Section 3.2.1:*

The Contractor acknowledges that it has investigated and satisfied itself as to the general and local conditions which can affect the work or its cost, including but not limited to (1) conditions bearing upon transportation, disposal, handling, and storage of materials; (2) the availability of labor, water, electric power, and roads; (3) uncertainties of weather, river stages, tides, or similar physical conditions at the site; (4) the conformation and conditions of the ground; and (5) the character of equipment and facilities needed preliminary to and during work performance. The Contractor also acknowledges that it has satisfied itself as to the character, quality, and quantity of surface and subsurface materials or obstacles to be encountered insofar as this information is reasonably ascertainable from an inspection of the site, including all exploratory work done by the Owner, as well as from the drawings and specifications made a part of this contract. Any failure of the Contractor to take the actions described and acknowledged in this paragraph will not relieve the Contractor from responsibility for estimating properly the difficulty and cost of successfully performing the work, or for proceeding to successfully perform the work without additional expense to the Owner.

3.14 *In the third sentence of Section 3.2.4, insert the word "latent" before the word "errors."*

3.15 *In the last sentence of Section 3.3.1, insert the words "by the Owner in writing" after the word "instructed."*

3.16 *Delete the third sentence of Section 3.5 and substitute the following sentences:*

Work, materials, or equipment not conforming to these requirements shall be considered defective. Unless caused by the Contractor or a subcontractor at any tier, the Contractor's warranty excludes remedy for damage or defect caused by abuse, alterations to the Work not executed by the Contractor, improper or insufficient maintenance, improper operation, or normal wear and tear and normal usage.

3.17 *Insert the following at the end of Section 3.6:*

The Contractor shall comply with the requirements of Title 12, Chapter 9 of the South Carolina Code of Laws, as amended, regarding withholding tax for nonresidents, employees, contractors and subcontractors.

3.18 *In Section 3.7.1, delete the words "the building permit as well as for other" and insert the following sentence at the end of this section:*

Pursuant to Title 10, Chapter 1, Section 180 of the South Carolina Code of Laws, as amended, no local general or specialty building permits are required for state buildings.

3.19 *Delete the last sentence of Section 3.7.5 and substitute the following:*

Adjustments in the Contract Sum and Contract Time arising from the existence of such remains or features may be made as provided in Article 7.3.3.

3.20 *Delete the last sentence of Section 3.8.2.3 and substitute the following:*

The amount of the Change Order shall reflect the difference between actual costs, as documented by invoices, and the allowances under Section 3.8.2.1.

3.21 *In Section 3.9.1, insert a comma after the word "superintendent" in the first sentence and insert the following after the inserted comma:*

acceptable to the Owner,

3.22 *Delete Section 3.9.2 and substitute the following:*

3.9.2 The Contractor, as soon as practicable after award of the Contract, shall furnish in writing to the Owner the name and qualifications of a proposed superintendent. The Owner may reply within 14 days to the Contractor in writing stating (1) whether the Owner has reasonable objection to the proposed superintendent or (2) that the

OSE FORM 00811

STANDARD SUPPLEMENTARY CONDITIONS

Owner requires additional time to review. Failure of the Owner to reply within the 14-day period shall constitute notice of no reasonable objection.

3.23 *After the first sentence in Section 3.9.3, insert the following sentence:*

The Contractor shall notify the Owner, in writing, of any proposed change in the superintendent, including the reason therefore, prior to making such change.

3.24 *Delete Section 3.10.3 and substitute the following:*

3.10.3 Additional requirements, if any, for the constructions schedule are as follows:
(Check box if applicable to this Contract))

The construction schedule shall be in a detailed precedence-style critical path management (CPM) or primavera-type format satisfactory to the Owner and the Architect that shall also (1) provide a graphic representation of all activities and events that will occur during performance of the work; (2) identify each phase of construction and occupancy; and (3) set forth dates that are critical in ensuring the timely and orderly completion of the Work in accordance with the requirements of the Contract Documents (hereinafter referred to as "Milestone Dates"). Upon review and acceptance by the Owner and the Architect of the Milestone Dates, the construction schedule shall be deemed part of the Contract Documents and attached to the Agreement as Exhibit "A." If not accepted, the construction schedule shall be promptly revised by the Contractor in accordance with the recommendations of the Owner and the Architect and resubmitted for acceptance. The Contactor shall monitor the progress of the Work for conformance with the requirements of the construction schedule and shall promptly advise the Owner of any delays or potential delays. Whenever the approved construction schedule no longer reflects actual conditions and progress of the work or the Contract Time is modified in accordance with the terms of the Contract Documents, the Contractor shall update the accepted construction schedule to reflect such conditions. In the event any progress report indicates any delays, the Contractor shall propose an affirmative plan to correct the delay, including overtime and/or additional labor, if necessary. In no event shall any progress report constitute an adjustment in the Contract Time, any Milestone Date, or the Contract Sum unless any such adjustment is agreed to by the Owner and authorized pursuant to Change Order.

3.25 *Add the following Section 3.10.4:*

3.10.4 Owner's review and acceptance of Contractor's schedule is not conducted for the purpose of either determining its accuracy and completeness or approving the construction means, methods, techniques, sequences or procedures. The Owner's approval shall not relieve the Contractor of any obligations. Unless expressly addressed in a Modification, the Owner's approval of a schedule shall not change the Contract Time.

3.26 *Add the following Section 3.12.5.1:*

3.12.5.1 The fire sprinkler shop drawings shall be prepared by a licensed fire sprinkler contractor and shall accurately reflect actual conditions affecting the required layout of the fire sprinkler system. The fire sprinkler contractor shall certify the accuracy of his shop drawings prior to submitting them for review and approval. The fire sprinkler shop drawings shall be reviewed and approved by the Architect's engineer of record who, upon approving the sprinkler shop drawings will submit them to the State Fire Marshal or other authorities having jurisdiction for review and approval. The Architect's engineer of record will submit a copy of the State Fire Marshal's approval letter to the Contractor, Architect, and OSE. Unless authorized in writing by OSE, neither the Contractor nor subcontractor at any tier shall submit the fire sprinkler shop drawings directly to the State Fire Marshal or other authorities having jurisdiction for approval.

3.27 *In the fourth sentence of Section 3.12.10, after the comma following the words "licensed design professional," insert the following:*

who shall comply with reasonable requirements of the Owner regarding qualifications and insurance and

3.28 *In Section 3.13, insert the section number "3.13.1" before the before the opening words "The Contractors shall."*

OSE FORM 00811**STANDARD SUPPLEMENTARY CONDITIONS**

3.29 Add the following Sections 3.13.2 and 3.13.3:

3.13.2 Protection of construction materials and equipment stored at the Project site from weather, theft, vandalism, damage, and all other adversity is solely the responsibility of the Contractor. The Contractor shall perform the work in a manner that affords reasonable access, both vehicular and pedestrian, to the site of the Work and all adjacent areas. The Work shall be performed, to the fullest extent reasonably possible, in such a manner that public areas adjacent to the site of the Work shall be free from all debris, building materials, and equipment likely to cause hazardous conditions.

3.13.3 The Contractor and any entity for whom the Contractor is responsible shall not erect any sign on the Project site without the prior written consent of the Owner.

3.30 *In the first sentence of Section 3.18.1, after the parenthetical "... (other than the Work itself), ..." and before the word "...but..." , insert the following:*

including loss of use resulting therefrom,

3.31 *Delete Section 4.1.1 and substitute the following:*

4.1.1 The Architect is that person or entity identified as the Architect in the Agreement and is referred to throughout the Contract Documents as if singular in number.

3.32 *Insert the following at the end of Section 4.2.1:*

Any reference in the Contract Documents to the Architect taking action or rendering a decision with a "reasonable time" is understood to mean no more than fourteen days, unless otherwise specified in the Contract Documents or otherwise agreed to by the parties.

3.33 *Delete the first sentence of Section 4.2.2 and substitute the following:*

The Architect will visit the site as necessary to fulfill its obligation to the Owner for inspection services, if any, and, at a minimum, to assure conformance with the Architect's design as shown in the Contract Documents and to observe the progress and quality of the various components of the Contractor's Work, and to determine if the Work observed is being performed in a manner indicating that the Work, when fully completed, will be in accordance with the Contract Documents.

3.34 *Delete the first sentence of Section 4.2.3 and substitute the following:*

On the basis of the site visits, the Architect will keep the Owner informed about the progress and quality of the portion of the Work completed, and report to the Owner (1) deviations from the Contract Documents and from the most recent construction schedule submitted by the Contractor, and (2) defects and deficiencies observed in the Work.

3.35 *In Section 4.2.5, after the words "evaluations of the" and before the word "Contractor's," insert the following:*

Work completed and correlated with the

3.36 *Delete the first sentence of Section 4.2.11 and substitute the following:*

4.2.11 The Architect will, in the first instance, interpret and decide matters concerning performance under, and requirements of, the Contract Documents on written request of either the Owner or Contractor. Upon receipt of such request, the Architect will promptly provide the non-requesting party with a copy of the request.

OSE FORM 00811**STANDARD SUPPLEMENTARY CONDITIONS**

3.37 *Insert the following at the end of Section 4.2.12:*

If either party disputes the Architects interpretation or decision, that party may proceed as provided in Article 15. The Architect's interpretations and decisions may be, but need not be, accorded any deference in any review conducted pursuant to law or the Contract Documents.

3.38 *Delete Section 4.2.14 and substitute the following:*

The Architect will review and respond to requests for information about the Contract Documents so as to avoid delay to the construction of the Project. The Architect's response to such requests will be made in writing with reasonable promptness. If appropriate, the Architect will prepare and issue supplemental Drawings and Specifications in response to the requests for information. Any response to a request for information must be consistent with the intent of, and reasonably inferable from, the Contract Documents and will be in writing or in the form of drawings. Unless issued pursuant to a Modification, supplemental Drawings or Specifications will not involve an adjustment to the Contract Sum or Contract Time.

3.39 *Delete Section 5.2.1 and substitute the following:*

5.2.1 Unless otherwise stated in the Contract Documents or the bidding requirements, the Contractor, within fourteen days after posting of the Notice of Intent to Award the Contract, shall furnish in writing to the Owner through the Architect the names of persons or entities (excluding Listed Subcontractors but including those who are to furnish materials or equipment fabricated to a special design) proposed for each principal portion of the Work. The Owner may reply within 14 days to the Contractor in writing stating (1) whether the Owner has reasonable objection to any such proposed person or entity. Failure of the Owner to reply within the 14 day period shall constitute notice of no reasonable objection.

3.40 *Delete Section 5.2.2 and substitute the following:*

5.2.2 The Contractor shall not contract with a proposed person or entity to whom the Owner has made reasonable and timely objection. The Owner shall not direct the Contractor to contract with any specific individual or entity for supplies or services unless such supplies and services are necessary for completion of the Work and the specified individual or entity is the only source of such supply or services.

3.41 *In the first sentence of Section 5.2.3, delete the words "...or Architect..." in the two places they appear.*

3.42 *Delete the words "...or Architect..." in the in the first sentence of Section 5.2.4 and insert the following sentence at the end of Section 5.2.4:*

The Contractor's request for substitution must be made to the Owner in writing accompanied by supporting information.

3.43 *Add the following Section 5.2.5:*

5.2.5 A Subcontractor identified in the Contractor's Bid in response the specialty subcontractor listing requirements of Section 7 of the Bid Form (SE-330) may only be substituted in accordance with and as permitted by the provisions of Title 11, Chapter 35, Section 3021 of the South Carolina Code of Laws, as amended. A proposed substitute for a Listed Subcontractor shall be subject to the Owner's approval as set forth is Section 5.2.3.

3.44 *In Section 5.3, delete everything following the heading "SUBCONTRACTUAL RELATIONS" and insert the following Sections 5.3.1, 5.3.2, 5.3.3, and 5.3.4:*

5.3.1 By appropriate written agreement, the Contractor shall require each Subcontractor, to the extent of the Work to be performed by the Subcontractor, to be bound to the Contractor by terms of the Contract Documents, and to assume toward the Contractor all the obligations and responsibilities, including the responsibility for safety of the Subcontractor's Work, which the Contractor, by these Documents, assumes toward the Owner and Architect. Each subcontract agreement shall preserve and protect the rights of the Owner and Architect under the Contract Documents with respect to the Work to be performed by the Subcontractor so that subcontracting thereof will not

OSE FORM 00811
STANDARD SUPPLEMENTARY CONDITIONS

2011 Edition
Rev. 9/7/2011

prejudice such rights, and shall allow to the Subcontractor, unless specifically provided otherwise herein or in the subcontract agreement, the benefit of all rights, remedies and redress against the Contractor that the Contractor, by the Contract Documents, has against the Owner. Where appropriate, the Contractor shall require each Subcontractor to enter into similar agreements with Sub-subcontractors. The Contractor shall make available to each proposed Subcontractor, prior to the execution of the subcontract agreement, copies of the Contract Documents to which the Subcontractor will be bound, and, upon written request of the Subcontractor, identify to the Subcontractor terms and conditions of the proposed subcontract agreement that may be at variance with the Contract Documents. Subcontractors will similarly make copies of applicable portions of such documents available to their respective proposed Sub-subcontractors.

§ 5.3.2 Without limitation on the generality of Section 5.3.1, each Subcontract agreement and each Sub-subcontract agreement shall include, and shall be deemed to include, the following Sections of these General Conditions: 3.2, 3.5, 3.18, 5.3, 5.4, 6.2.2, 7.3.3, 7.5, 7.6, 13.1, 13.12, 14.3, 14.4, and 15.1.6.

§ 5.3.3 Each Subcontract Agreement and each Sub-subcontract agreement shall exclude, and shall be deemed to exclude, Sections 13.2.1 and 13.6 and all of Article 15, except Section 15.1.6, of these General Conditions. In the place of these excluded sections of the General Conditions, each Subcontract Agreement and each Sub-subcontract may include Sections 13.2.1 and 13.6 and all of Article 15, except Section 15.1.6, of AIA Document A201-2007, Conditions of the Contract, as originally issued by the American Institute of Architects.

§ 5.3.4 The Contractor shall assure the Owner that all agreements between the Contractor and its Subcontractor incorporate the provisions of Subparagraph 5.3.1 as necessary to preserve and protect the rights of the Owner and the Architect under the Contract Documents with respect to the work to be performed by Subcontractors so that the subcontracting thereof will not prejudice such rights. The Contractor's assurance shall be in the form of an affidavit or in such other form as the Owner may approve. Upon request, the Contractor shall provide the Owner or Architect with copies of any or all subcontracts or purchase orders.

3.45 *Delete the last sentence of Section 5.4.1.*

3.46 *Add the following Sections 5.4.4, 5.4.5 and 5.4.6:*

§ 5.4.4 Each subcontract shall specifically provide that the Owner shall only be responsible to the subcontractor for those obligations of the Contractor that accrue subsequent to the Owner's exercise of any rights under this conditional assignment.

§ 5.4.5 Each subcontract shall specifically provide that the Subcontractor agrees to perform portions of the Work assigned to the Owner in accordance with the Contract Documents.

§ 5.4.6 Nothing in this Section 5.4 shall act to reduce or discharge the Contractor's payment bond surety's obligations to claimants for claims arising prior to the Owner's exercise of any rights under this conditional assignment.

3.47 *Delete the language of Section 6.1.4 and substitute the word "Reserved."*

3.48 *Insert the following at the end of Section 7.1.2:*

If the amount of a Modification exceeds the limits of the Owner's Construction Change Order Certification (reference Section 9.1.7.2 of the Agreement), then the Owner's agreement is not effective, and Work may not proceed, until approved in writing by the Office of State Engineer.

3.49 *Delete Section 7.2.1 and substitute the following:*

7.2.1 A Change Order is a written instrument prepared by the Architect (using State Form SE-480 "Construction Change Order") and signed by the Owner, Contractor and Architect stating their agreement upon all of the following:

- .1 The change in the Work;

OSE FORM 00811

STANDARD SUPPLEMENTARY CONDITIONS

- .2 The amount of the adjustment, if any, in the Contract Sum; and
- .3 The extent of the adjustment, if any, in the Contract Time.

3.50 *Add the following Sections 7.2.2, 7.2.3, 7.2.4, and 7.2.5:*

7.2.2 If a Change Order provides for an adjustment to the Contract Sum, the adjustment must be calculated in accordance with Section 7.3.3.

7.2.3 At the Owner’s request, the Contractor shall prepare a proposal to perform the work of a proposed Change Order setting forth the amount of the proposed adjustment, if any, in the Contract Sum; and the extent of the proposed adjustment, if any, in the Contract Time. Any proposed adjustment in the Contract sum shall be prepared in accordance with Section 7.2.2. The Owner’s request shall include any revisions to the Drawings or Specifications necessary to define any changes in the Work. Within fifteen days of receiving the request, the Contractor shall submit the proposal to the Owner and Architect along with all documentation required by Section 7.6.

7.2.4 If the Contractor requests a Change Order, the request shall set forth the proposed change in the Work and shall be prepared in accordance with Section 7.2.3. If the Contractor requests a change to the Work that involves a revision to either the Drawings or Specifications, the Contractor shall reimburse the Owner for any expenditures associated with the Architects’ review of the proposed revisions, except to the extent the revisions are accepted by execution of a Change Order.

7.2.5 Agreement on any Change Order shall constitute a final settlement of all matters relating to the change in the Work that is the subject of the Change Order, including, but not limited to, any adjustments to the Contract Sum or the Contract Time.

3.51 *Delete 7.3.3 and substitute the following:*

7.3.3 PRICE ADJUSTMENTS

§ 7.3.3.1 If any Modification, including a Construction Change Directive, provides for an adjustment to the Contract Sum, the adjustment shall be based on whichever of the following methods is the most valid approximation of the actual cost to the contractor, with overhead and profit as allowed by Section 7.5:

- .1 Mutual acceptance of a lump sum;
- .2 Unit prices stated in the Contract Documents, except as provided in Section 7.3.4, or subsequently agreed upon;
- .3 Cost attributable to the events or situations under applicable clauses with adjustment of profits or fee, all as specified in the contract, or subsequently agreed upon by the parties, or by some other method as the parties may agree; or
- .4 As provided in Section 7.3.7.

§ 7.3.3.2 Consistent with Section 7.6, costs must be properly itemized and supported by substantiating data sufficient to permit evaluation before commencement of the pertinent performance or as soon after that as practicable. All costs incurred by the Contractor must be justifiably compared with prevailing industry standards. Except as provided in Section 7.5, all adjustments to the Contract Price shall be limited to job specific costs and shall not include indirect costs, overhead, home office overhead, or profit.

3.52 *Delete Section 7.3.7 and substitute the following:*

7.3.7 If the Contractor does not respond promptly or disagrees with the method for adjustment in the Contract Sum, the Architect shall make an initial determination, consistent with Section 7.3.3, of the method and the adjustment on the basis of reasonable expenditures and savings of those performing the Work attributable to the change, including, in case of an increase in the Contract Sum, an amount for overhead and profit as set forth in Section 7.5. In such case, and also under Section 7.3.3.1.3, the Contractor shall keep and present, in such form as the Architect may prescribe, an itemized accounting together with appropriate supporting data. Unless otherwise provided in the Contract Documents, costs for the purposes of this Section 7.3.7 shall be limited to the following:

OSE FORM 00811

STANDARD SUPPLEMENTARY CONDITIONS

- .1 Costs of labor, including social security, old age and unemployment insurance, fringe benefits required by agreement or custom, and workers' compensation insurance;
- .2 Costs of materials, supplies and equipment, including cost of transportation, whether incorporated or consumed;
- .3 Rental costs of machinery and equipment, exclusive of hand tools, whether rented from the Contractor or others; and
- .4 Costs of premiums for all bonds and insurance, permit fees, and sales, use or similar taxes related to the Work.

3.53 *Delete Section 7.3.8 and substitute the following:*

7.3.8 Using the percentages stated in Section 7.5, any adjustment to the Contract Sum for deleted work shall include any overhead and profit attributable to the cost for the deleted Work.

3.54 *Add the following Sections 7.5 and 7.6:*

7.5 AGREED OVERHEAD AND PROFIT RATES

7.5.1 For any adjustment to the Contract Sum for which overhead and profit may be recovered, other than those made pursuant to Unit Prices stated in the Contract Documents, the Contractor agrees to charge and accept, as full payment for overhead and profit, the following percentages of costs attributable to the change in the Work. The percentages cited below shall be considered to include all indirect costs including, but not limited to: field and office managers, supervisors and assistants, incidental job burdens, small tools, and general overhead allocations. The allowable percentages for overhead and profit are as follows:

- .1 To the Contractor for work performed by the Contractor's own forces, 17% of the Contractor's actual costs.
- .2 To each Subcontractor for work performed by the Subcontractor's own forces, 17% of the subcontractor's actual costs.
- .3 To the Contractor for work performed by a subcontractor, 10% of the subcontractor's actual costs (not including the subcontractor's overhead and profit).

7.6 PRICING DATA AND AUDIT

§ 7.6.1 Cost or Pricing Data.

Upon request of the Owner or Architect, Contractor shall submit cost or pricing data prior to execution of a Modification which exceeds \$500,000. Contractor shall certify that, to the best of its knowledge and belief, the cost or pricing data submitted is accurate, complete, and current as of a mutually determined specified date prior to the date of pricing the Modification. Contractor's price, including profit, shall be adjusted to exclude any significant sums by which such price was increased because Contractor furnished cost or pricing data that was inaccurate, incomplete, or not current as of the date specified by the parties. Notwithstanding Subparagraph 9.10.4, such adjustments may be made after final payment to the Contractor.

§ 7.6.2 Cost or pricing data means all facts that, as of the date specified by the parties, prudent buyers and sellers would reasonably expect to affect price negotiations significantly. Cost or pricing data are factual, not judgmental; and are verifiable. While they do not indicate the accuracy of the prospective contractor's judgment about estimated future costs or projections, they do include the data forming the basis for that judgment. Cost or pricing data are more than historical accounting data; they are all the facts that can be reasonably expected to contribute to the soundness of estimates of future costs and to the validity of determinations of costs already incurred.

§ 7.6.3 Records Retention.

As used in Section 7.6, the term "records" means any books or records that relate to cost or pricing data that Contractor is required to submit pursuant to Section 7.6.1. Contractor shall maintain records for three years from the date of final payment, or longer if requested by the chief procurement officer. The Owner may audit Contractor's records at reasonable times and places.

OSE FORM 00811

STANDARD SUPPLEMENTARY CONDITIONS

3.55 Delete Section 8.2.2 and substitute the following:

8.2.2 The Contractor shall not knowingly commence operations on the site or elsewhere prior to the effective date of surety bonds and insurance required by Article 11 to be furnished by the Contractor and Owner. The date of commencement of the Work shall not be changed by the effective date of such surety bonds or insurance.

3.56 Delete Section 8.3.1 and substitute the following:

8.3.1 If the Contractor is delayed at any time in the commencement or progress of the Work by an act or neglect of the Owner or Architect, or of an employee of either, or of a separate contractor employed by the Owner; or by changes ordered in the Work; or by labor disputes, fire, unusual delay in deliveries, unavoidable casualties or other causes beyond the control of the Contractor and any subcontractor at any tier; or by delay authorized by the Owner pending dispute resolution; or by other causes that the Architect determines may justify delay, then to the extent such delay will prevent the Contractor from achieving Substantial Completion within the Contract Time and provided the delay (1) is not caused by the fault or negligence of the Contractor or a subcontractor at any tier and (2) is not due to unusual delay in the delivery of supplies, machinery, equipment, or services when such supplies, machinery, equipment, or services were obtainable from other sources in sufficient time for the Contractor to meet the required delivery, the Contract Time shall be extended by Change Order for such reasonable time as the Architect may determine.

3.57 Insert the following at the end of Section 9.1:

All changes to the Contract Sum shall be adjusted in accordance with Section 7.3.3.

3.58 Delete Section 9.2 and substitute the following:

9.2 SCHEDULE OF VALUES

9.2.1 The Contractor shall submit to the Architect, within ten days of full execution of the Agreement, a schedule of values allocating the entire Contract Sum to the various portions of the Work and prepared in such form and supported by such data to substantiate its accuracy as the Architect may require. This schedule, unless objected to by the Architect, shall be used as a basis for reviewing the Contractor's Applications for Payment. As requested by the Architect, the Contractor and each Subcontractor shall prepare a trade payment breakdown for the Work for which each is responsible, such breakdown being submitted on a uniform standardized format approved by the Architect and Owner. The breakdown shall be divided in detail, using convenient units, sufficient to accurately determine the value of completed Work during the course of the Project. The Contractor shall update the schedule of values as required by either the Architect or Owner as necessary to reflect:

- .1 the description of Work (listing labor and material separately);
- .2 the total value;
- .3 the percent and value of the Work completed to date;
- .4 the percent and value of previous amounts billed; and
- .5 the current percent completed and amount billed.

9.2.2 Any schedule of values or trade breakdown that fails to include sufficient detail, is unbalanced, or exhibits "front-loading" of the value of the Work shall be rejected. If a schedule of values or trade breakdown is used as the basis for payment and later determined to be inaccurate, sufficient funds shall be withheld from future Applications for Payment to ensure an adequate reserve (exclusive of normal retainage) to complete the Work.

3.59 Delete Section 9.3.1 and substitute the following:

Monthly, the Contractor shall submit to the Architect an itemized Application for Payment prepared in accordance with the schedule of values, if required under Section 9.2., for completed portions of the Work. Such application shall be notarized, if required, and supported by such data substantiating the Contractor's right to payment as the Owner or Architect may require (such as copies of requisitions from Subcontractors and material suppliers) and shall reflect retainage and any other adjustments provided in Section 5 of the Agreement. If required by the Owner or Architect, the Application for Payment shall be accompanied by a current construction schedule.

OSE FORM 00811

STANDARD SUPPLEMENTARY CONDITIONS

3.60 In Section 9.3.2, add the following words to the end of the second sentence:

provided such materials or equipment will be subsequently incorporated in the Work

Insert the following at the end of Section 9.3.2:

The Contractor shall 1) protect such materials from diversion, vandalism, theft, destruction, and damage, 2) mark such materials specifically for use on the Project, and 3) segregate such materials from other materials at the storage facility. The Architect and the Owner shall have the right to make inspections of the storage areas at any time.

3.61 *In Section 9.4.2, in the first sentence, after the words "Work has progressed to the point indicated," insert the following:*

in both the Application for Payment and, if required to be submitted by the Contractor, the accompanying current construction schedule

In the last sentence, delete the third item starting with "(3) reviewed copies" and ending with "Contractor's right to payment,"

3.62 *In Section 9.5.1, in the first sentence, delete the word "may" after the opening words "The Architect" and substitute the word "shall."*

In Section 9.5.1, insert the following sentence after the first sentence:

The Architect shall withhold a Certificate of Payment if the Application for Payment is not accompanied by the current construction schedule required by Section 3.10.1.

3.63 *In Section 9.6.2, delete the word "The..." at the beginning of the first sentence and substitute the following:*

Pursuant to Chapter 6 of Title 29 of the South Carolina Code of Laws, as amended, the

3.64 *Delete Section 9.7 and substitute following:*

9.7 FAILURE OF PAYMENT

If the Architect does not issue a Certificate for Payment to the Owner, through no fault of the Contractor, within seven days after receipt of the Contractor's Application for Payment, or if the Owner does not pay the Contractor within seven days after the time established in the Contract Documents the amount certified by the Architect or awarded by a final dispute resolution order, then the Contractor may, upon seven additional days' written notice to the Owner and Architect, stop the Work until payment of the amount owing has been received. The Contract Time shall be extended appropriately and the Contract Sum shall be increased, in accordance with the provisions of Section 7.3.3, by the amount of the Contractor's reasonable costs of shut-down, delay and start-up, plus interest as provided for in the Contract Documents.

3.65 *Insert the following words at the end of the sentence in Section 9.8.1:*

and when all required occupancy permits, if any, have been issued and copies of same have been delivered to the Owner.

3.66 *In Section 9.8.2, insert the word "written" after the word "comprehensive" and before the word "list."*

3.67 *Delete Section 9.8.3 and substitute the following:*

9.8.3.1 Upon receipt of the Contractor's list, the Architect, with the Owner and any other person the Architect or the Owner choose, will make an inspection on a date and at a time mutually agreeable to the Architect, Owner, and Contractor, to determine whether the Work or designated portion thereof is substantially complete. The Contractor shall furnish access for the inspection and testing as provided in this Contract. The inspection shall include a

OSE FORM 00811

STANDARD SUPPLEMENTARY CONDITIONS

demonstration by the Contractor that all equipment, systems and operable components of the Work function properly and in accordance with the Contract Documents. If the Architect’s inspection discloses any item, whether or not included on the Contractor’s list, which is not sufficiently complete in accordance with the Contract Documents so that the Owner can occupy or utilize the Work or designated portion thereof for its intended use, the Contractor shall, before issuance of the Certificate of Substantial Completion, complete or correct such item upon notification by the Architect. In such case, the Contractor shall then submit a request for another inspection by the Architect to determine Substantial Completion. If more than one Substantial Completion inspection is required, the Contractor shall reimburse the Owner for all costs of reinspections or, at the Owner’s option, the costs may be deducted from payments due to the Contractor.

9.8.3.2 If the Architect and Owner concur in the Contractor’s assessment that the Work or a portion of the Work is safe to occupy, the Owner and Contractor may arrange for a Certificate of Occupancy Inspection by OSE. The Owner, Architect, and Contractor shall be present at OSE’s inspection. Upon verifying that the Work or a portion of the Work is substantially complete and safe to occupy, OSE will issue, as appropriate, a Full or Partial Certificate of Occupancy.

3.68 *In the second sentence of Section 9.8.5, delete the words “and consent of surety, if any.”*

3.69 *In the first sentence of Section 9.9.1, delete the words “Section 11.3.1.5” and substitute the words “Section 11.3.1.3.”*

3.70 *Delete Section 9.10.1 and substitute the following:*

9.10.1 Unless the parties agree otherwise in the Certificate of Substantial Completion, the Contractor shall achieve Final Completion no later than thirty days after Substantial Completion. Upon receipt of the Contractor’s written notice that the Work is ready for final inspection and acceptance and upon receipt of a final Application for Payment, the Architect, with the Owner and any other person the Architect or the Owner choose, will make an inspection on a date and at a time mutually agreeable to the Architect, Owner, and Contractor, and, when the Architect finds the Work acceptable under the Contract Documents and the Contract fully performed, the Architect will promptly issue a final Certificate for Payment stating that to the best of the Architect’s knowledge, information and belief, and on the basis of the Architect’s on-site visits and inspections, the Work has been completed in accordance with terms and conditions of the Contract Documents and that the entire balance found to be due the Contractor and noted in the final Certificate is due and payable. The Architect’s final Certificate for Payment will constitute a further representation that conditions listed in Section 9.10.2 as precedent to the Contractor’s being entitled to final payment have been fulfilled. If more than one Final Completion inspection is required, the Contractor shall reimburse the Owner for all costs of reinspections or, at the Owner’s option, the costs may be deducted from payments due to the Contractor. If the Contractor does not achieve final completion within thirty days after Substantial Completion or the timeframe agreed to by the parties in the Certificate of Substantial Completion, whichever is greater, the Contractor shall be responsible for any additional Architectural fees resulting from the delay.

3.71 *Delete the first sentence of Section 9.10.2 and substitute the following:*

Neither final payment nor any remaining retained percentage shall become due until the Contractor submits to the Architect (1) an affidavit that payrolls, bills for materials and equipment, and other indebtedness connected with the Work for which the Owner or the Owner’s property might be responsible or encumbered (less amounts withheld by Owner) have been paid or otherwise satisfied, (2) a certificate evidencing that insurance required by the Contract Documents to remain in force after final payment is currently in effect and will not be canceled or allowed to expire until at least 30 days’ prior written notice has been given to the Owner, (3) a written statement that the Contractor knows of no substantial reason that the insurance will not be renewable to cover the period required by the Contract Documents, (4) consent of surety, if any, to final payment (5), if required by the Owner, other data establishing payment or satisfaction of obligations, such as receipts, releases and waivers of liens, claims, security interests or encumbrances arising out of the Contract, to the extent and in such form as may be designated by the Owner, (6) required Training Manuals, (7) equipment Operations and Maintenance Manuals, (8) any certificates of testing, inspection or approval required by the Contract Documents and not previously provided (9) all warranties and guarantees required under or pursuant to the Contract Documents, and (10) one copy of the Documents required by Section 3.11.

OSE FORM 00811
STANDARD SUPPLEMENTARY CONDITIONS

2011 Edition
Rev. 9/7/2011

3.72 Delete the first sentence of Section 9.10.3 and substitute the following:

If, after Substantial Completion of the Work, final completion thereof is delayed 60 days through no fault of the Contractor or by issuance of Change Orders affecting final completion, and the Architect so confirms, the Owner shall, upon application by the Contractor and certification by the Architect, and without terminating the Contract, make payment of the balance due for that portion of the Work fully completed and accepted.

3.73 Delete Section 9.10.5 and substitute the following:

9.10.5 Acceptance of final payment by the Contractor, a Subcontractor or material supplier shall constitute a waiver of claims by that payee except those specific claims in stated amounts that have been previously made in writing and identified by that payee as unsettled at the time of final Application for Payment.

3.74 Add the following Section 9.10.6:

9.10.6 If OSE has not previously issued a Certificate of Occupancy for the entire Project, the Parties shall arrange for a representative of OSE to participate in the Final Completion Inspection. Representatives of the State Fire Marshal's Office and other authorities having jurisdiction may be present at the Final Completion Inspection or otherwise inspect the completed Work and advise the Owner whether the Work meets their respective requirements for the Project.

3.75 Delete Section 10.3.1 and substitute the following:

10.3.1 If the Contractor encounters a hazardous material or substance which was not discoverable as provided in Section 3.2.1 and not required by the Contract Documents, and if reasonable precautions will be inadequate to prevent foreseeable bodily injury or death to persons or serious loss to real or personal property resulting from such material or substance encountered on the site by the Contractor, the Contractor shall, upon recognizing the condition, immediately stop Work in the affected area and report the condition to the Owner and Architect in writing. Hazardous materials or substances are those hazardous, toxic, or radioactive materials or substances subject to regulations by applicable governmental authorities having jurisdiction, such as, but not limited to, the S.C. Department of Health and Environmental Control, the U.S. Environmental Protection Agency, and the U.S. Nuclear Regulatory Commission.

3.76 Insert the following at the end of Section 10.3.2:

In the absence of agreement, the Architect will make an interim determination regarding any delay or impact on the Contractor's additional costs. The Architect's interim determination of cost shall adjust the Contract Sum on the same basis as a Change Order, subject to the right of either party to disagree and assert a Claim in accordance with Article 15. Any adjustment in the Contract Sum shall be determined in accordance with Section 7.3.3.

3.77 Delete Section 10.3.3 and substitute the following:

10.3.3 The Work in the affected area shall be resumed immediately following the occurrence of any one of the following events: (a) the Owner causes remedial work to be performed that results in the absence of hazardous materials or substances; (b) the Owner and the Contractor, by written agreement, decide to resume performance of the Work; or (c) the Work may safely and lawfully proceed, as determined by an appropriate governmental authority or as evidenced by a written report to both the Owner and the Contractor, which is prepared by an environmental engineer reasonably satisfactory to both the Owner and the Contractor.

3.78 In Section 10.3.5, delete the word "The" at the beginning of the sentence and substitute the following:

In addition to its obligations under Section 3.18, the

3.79 Delete the language of Section 10.3.6 and substitute the word "Reserved."

OSE FORM 00811
STANDARD SUPPLEMENTARY CONDITIONS

3.80 *Insert the following at the end of Section 10.4:*

The Contractor shall immediately give the Architect notice of the emergency. This initial notice may be oral followed within five days by a written notice setting forth the nature and scope of the emergency. Within fourteen days of the start of the emergency, the Contractor shall give the Architect a written estimate of the cost and probable effect of delay on the progress of the Work.

3.81 *Delete 11.1.2 and substitute the following:*

11.1.2 The insurance required by Section 11.1.1 shall be written for not less than limits of liability specified below or required by law, whichever coverage is greater. Coverages shall be written on an occurrence basis and shall be maintained without interruption from the date of commencement of the Work until the date of final payment and termination of any coverage required to be maintained after final payment, and, with respect to the Contractor's completed operations coverage, until the expiration of the period for correction of Work or for such other period for maintenance of completed operations coverage as specified in the Contract Documents.

- (1) COMMERCIAL GENERAL LIABILITY:
 - (a) General Aggregate (per project) \$1,000,000
 - (b) Products/Completed Operations \$1,000,000
 - (c) Personal and Advertising Injury \$1,000,000
 - (d) Each Occurrence \$1,000,000
 - (e) Fire Damage (Any one fire) \$50,000
 - (f) Medical Expense (Any one person) \$5,000

- (2) BUSINESS AUTO LIABILITY (including All Owned, Non-owned, and Hired Vehicles):
 - (a) Combined Single Limit \$1,000,000

- (3) WORKER'S COMPENSATION:
 - (a) State Statutory
 - (b) Employers Liability \$100,000 Per Acc.
 - \$500,000 Disease, Policy Limit
 - \$100,000 Disease, Each Employee

In lieu of separate insurance policies for Commercial General Liability, Business Auto Liability, and Employers Liability, the Contractor may provide an umbrella policy meeting or exceeding all coverage requirements set forth in this Section 11.1.2. The umbrella policy limits shall not be less than \$3,000,000.

3.82 *Delete Section 11.1.3 and substitute the following:*

11.1.3 Prior to commencement of the Work, and thereafter upon replacement of each required policy of insurance, Contractor shall provide to the Owner a written endorsement to the Contractor's general liability insurance policy that:

- (i) names the Owner as an additional insureds for claims caused in whole or in part by the Contractor's negligent acts or omissions during the Contractor's operations;
- (ii) provides that no material alteration, cancellation, non-renewal, or expiration of the coverage contained in such policy shall have effect unless all additional insureds have been given at least ten (10) days prior written notice of cancellation for non-payment of premiums and thirty (30) days prior written notice of cancellation for any other reason; and
- (iii) provides that the Contractor's liability insurance policy shall be primary, with any liability insurance of the Owner as secondary and noncontributory.

Prior to commencement of the Work, and thereafter upon renewal or replacement of each required policy of insurance, Contractor shall provide to the Owner a signed, original certificate of liability insurance (ACORD 25). Consistent with this Section 11.1, the certificate shall identify the types of insurance, state the limits of liability for each type of coverage, name the Owner a Consultants as Certificate Holder, provide that the general aggregate limit applies per project, and provide that coverage is written on an occurrence basis. Both the certificates and the

OSE FORM 00811

STANDARD SUPPLEMENTARY CONDITIONS

endorsements must be received directly from either the Contractor's insurance agent or the insurance company. An additional certificate evidencing continuation of liability coverage, including coverage for completed operations, naming the Owner as an additional insured for claims made under the Contractor's completed operations, and otherwise meeting the above requirements, shall be submitted with the final Application for Payment as required by Section 9.10.2 and thereafter upon renewal or replacement of such coverage until the expiration of the time required by Section 11.1.2. Information concerning reduction of coverage on account of revised limits or claims paid under the General Aggregate, or both, shall be furnished by the Contractor with reasonable promptness.

3.83 *Delete Section 11.1.4 and substitute the following:*

11.1.4 A failure by the Owner either (i) to demand a certificate of insurance or written endorsement required by Section 11.1, or (ii) to reject a certificate or endorsement on the grounds that it fails to comply with Section 11.1 shall not be considered a waiver of Contractor's obligations to obtain the required insurance.

3.84 *In Section 11.3.1, delete the first sentence and substitute the following:*

Unless otherwise provided in the Contract Documents, the Contractor shall purchase and maintain, in a company or companies lawfully authorized to do business in the jurisdiction in which the Project is located, property insurance written on a builder's risk "all-risk" or equivalent policy form in the amount of the initial Contract Sum, plus value of subsequent Contract Modifications and cost of materials supplied or installed by others, comprising total value for the entire Project at the site on a replacement cost basis.

3.85 *Delete the language of Section 11.3.1.2 and substitute the word "Reserved."*

3.86 *Delete the language of Section 11.3.1.3 and substitute the word "Reserved."*

3.87 *Delete Section 11.3.2 and substitute the following:*

11.3.2 BOILER AND MACHINERY INSURANCE

The Contractor shall purchase and maintain boiler and machinery insurance required by the Contract Documents or by law, which shall specifically cover such insured objects during installation and until final acceptance by the Owner; this insurance shall include interests of the Owner, Contractor, Subcontractors and Sub-subcontractors in the Work, and the Owner and Contractor shall both be named insureds.

3.88 *Delete Section 11.3.3 and substitute the following:*

11.3.3 LOSS OF USE INSURANCE

The Owner, at the Owner's option, may purchase and maintain such insurance as will insure the Owner against loss of use of the Owner's property due to fire or other hazards, however caused. To the extent any losses are covered and paid for by such insurance, the Owner waives all rights of action against the Contractor for loss of use of the Owner's property, including consequential losses due to fire or other hazards however caused.

3.89 *Delete Section 11.3.4 and substitute the following:*

11.3.4 If the Owner requests in writing that insurance for risks other than those described herein or other special causes of loss be included in the property insurance policy, the Contractor shall, if possible, include such insurance, and the cost thereof shall be charged to the Owner by appropriate Change Order.

3.90 *Delete the language of Section 11.3.5 and substitute the word "Reserved."*

3.91 *Delete Section 11.3.6 and substitute the following:*

11.3.6 Before an exposure to loss may occur, the Contractor shall file with the Owner a copy of each policy that includes insurance coverages required by this Section 11.3. Each policy shall contain all generally applicable conditions, definitions, exclusions and endorsements related to this Project. Each policy shall contain a provision that the policy will not be canceled or allowed to expire, and that its limits will not be reduced, until at least 30 days' prior written notice has been given to the Owner.

OSE FORM 00811

STANDARD SUPPLEMENTARY CONDITIONS

3.92 Delete the first sentence of Section 11.3.7 and substitute the following:

The Owner and Contractor waive all rights against (1) each other and any of their subcontractors, sub-subcontractors, agents and employees, each of the other, and (2) the Architect, Architect's consultants, separate contractors described in Article 6, if any, and any of their subcontractors, sub-subcontractors, agents and employees, for damages caused by fire or other causes of loss to the extent the property insurance provided by the Contractor pursuant to this Section 11.3 covers and pays for the damage, except such rights as they have to proceeds of such insurance held by the Contractor as fiduciary.

3.93 Delete the first sentence of Section 11.3.8 and substitute the following:

A loss insured under the Contractor's property insurance shall be adjusted by the Contractor as fiduciary and made payable to the Contractor as fiduciary for the insureds, as their interests may appear, subject to requirements of any applicable mortgagee clause and of Section 11.3.10.

3.94 Delete Section 11.3.9 and substitute the following:

11.3.9 If required in writing by a party in interest, the Contractor as fiduciary shall, upon occurrence of an insured loss, give bond for proper performance of the Contractor's duties. The cost of required bonds shall be charged against proceeds received as fiduciary. The Contractor shall deposit in a separate account proceeds so received, which the Contractor shall distribute in accordance with such agreement as the parties in interest may reach. If after such loss no other special agreement is made and unless the Owner terminates the Contract for convenience, replacement of damaged property shall be performed by the Contractor.

3.95 Delete Section 11.3.10 and substitute the following:

11.3.10 The Contractor as fiduciary shall have power to adjust and settle a loss with insurers unless one of the parties in interest shall object in writing within five days after occurrence of loss to the Contractor's exercise of this power; if such objection is made, the dispute shall be resolved in the manner provided in the contract between the parties in dispute as the method of binding dispute resolution. The Contractor as fiduciary shall make settlement with insurers or, in the case of a dispute over distribution of insurance proceeds, in accordance with a final order or determination issued by the appropriate authority having jurisdiction over the dispute..

3.96 Delete Section 11.4.1 and substitute the following:

11.4.1 Before commencing any services hereunder, the Contractor shall provide the Owner with Performance and Payment Bonds, each in an amount not less than the Contract Price set forth in Article 4 of the Agreement. The Surety shall have, at a minimum, a "Best Rating" of "A" as stated in the most current publication of "Best's Key Rating Guide, Property-Casualty". In addition, the Surety shall have a minimum "Best Financial Strength Category" of "Class V", and in no case less than five (5) times the contract amount. The Performance Bond shall be written on Form SE-355, "Performance Bond" and the Payment Bond shall written on Form SE-357, "Labor and Material Payment Bond", and both shall be made payable to the Owner.

3.97 Delete Section 11.4.2 and substitute the following:

11.4.2 The Performance and Labor and Material Payment Bonds shall:

- .1 be issued by a surety company licensed to do business in South Carolina;
- .2 be accompanied by a current power of attorney and certified by the attorney-in-fact who executes the bond on the behalf of the surety company; and
- .3 remain in effect for a period not less than one (1) year following the date of Substantial Completion or the time required to resolve any items of incomplete Work and the payment of any disputed amounts, whichever time period is longer.

OSE FORM 00811

STANDARD SUPPLEMENTARY CONDITIONS

3.98 *Add the following Sections 11.4.3 and 11.4.4:*

11.4.3 Any bonds required by this Contract shall meet the requirements of the South Carolina Code of Laws and Regulations, as amended.

11.4.4 Upon the request of any person or entity appearing to be a potential beneficiary of bonds covering payment of obligations arising under the Contract, the Contractor shall promptly furnish a copy of the bonds or shall authorize a copy to be furnished.

3.99 *Delete Section 12.1.1 and substitute the following:*

12.1.1 If a portion of the Work is covered contrary to the to requirements specifically expressed in the Contract Documents, including inspections of work-in-progress required by all authorities having jurisdiction over the Project, it must, upon demand of the Architect or authority having jurisdiction, be uncovered for observation and be replaced at the Contractor’s expense without change in the Contract Time.

3.100 *In Section 12.2.2.1, delete the words “and to make a claim for breach of warranty” at the end of the third sentence.*

3.101 *In Section 12.2.2.3, add the following to the end of the sentence:*

unless otherwise provided in the Contract Documents.

3.102 *Insert the following at the end of Section 12.2.4:*

If, prior to the date of Substantial Completion, the Contractor, a Subcontractor, or anyone for whom either is responsible, uses or damages any portion of the Work, including, without limitation, mechanical, electrical, plumbing, and other building systems, machinery, equipment, or other mechanical device, the Contractor shall cause such item to be restored to "like new" condition at no expense to the Owner.

3.103 *Delete Section 13.1 and substitute the following:*

13.1 GOVERNING LAW

The Contract, any dispute, claim, or controversy relating to the Contract, and all the rights and obligations of the parties shall, in all respects, be interpreted, construed, enforced and governed by and under the laws of the State of South Carolina, except its choice of law rules.

3.104 *Delete Section 13.2, including its Sub-Sections 13.2.1 and 13.2.2, and substitute the following:*

13.2 SUCCESSORS AND ASSIGNS

The Owner and Contractor respectively bind themselves, their partners, successors, assigns and legal representatives to covenants, agreements and obligations contained in the Contract Documents. Neither party to the Contract shall assign the Contract as a whole, or in part, without written consent of the other and then only in accordance with and as permitted by Regulation 19-445.2180 of the South Carolina Code of Regulations, as amended. If either party attempts to make such an assignment without such consent, that party shall nevertheless remain legally responsible for all obligations under the Contract.

3.105 *Delete Section 13.3 and substitute the following:*

13.3 WRITTEN NOTICE

Unless otherwise permitted herein, all notices contemplated by the Contract Documents shall be in writing and shall be deemed given:

- .1 upon actual delivery, if delivery is by hand;
- .2 upon receipt by the transmitting party of confirmation or reply, if delivery is by electronic mail, facsimile, telex or telegram;
- .3 upon receipt, if delivery is by the United States mail.

OSE FORM 00811

STANDARD SUPPLEMENTARY CONDITIONS

Notice to Contractor shall be to the address provided in Section 8.3.2 of the Agreement. Notice to Owner shall be to the address provided in Section 8.2.2 of the Agreement. Either party may designate a different address for notice by giving notice in accordance with this paragraph.

3.106 *In Section 13.4.1, insert the following at the beginning of the sentence:*

Unless expressly provided otherwise,

3.107 *Add the following Section 13.4.3:*

13.4.3 Notwithstanding Section 9.10.4, the rights and obligations which, by their nature, would continue beyond the termination, cancellation, rejection, or expiration of this contract shall survive such termination, cancellation, rejection, or expiration, including, but not limited to, the rights and obligations created by the following clauses:

- 1.5 Ownership and Use of Drawings, Specifications and Other Instruments of Service;
- 3.5 Warranty
- 3.17 Royalties, Patents and Copyrights
- 3.18 Indemnification
- 7.6 Cost or Pricing Data
- 11.1 Contractor's Liability Insurance
- 11.4 Performance and Payment Bond
- 15.1.6 Claims for Listed Damages
- 15.1.7 Waiver of Claims Against the Architect
- 15.6 Dispute Resolution
- 15.4 Service of Process

3.108 *Delete Section 13.6 and substitute the following:*

13.6 INTEREST

Payments due to the Contractor and unpaid under the Contract Documents shall bear interest only if and to the extent allowed by Title 29, Chapter 6, Article 1 of the South Carolina Code of Laws. Amounts due to the Owner shall bear interest at the rate of one percent a month or a pro rata fraction thereof on the unpaid balance as may be due.

3.109 *Delete the language of Section 13.7 and substitute the word "Reserved."*

3.110 *Add the following Sections 13.8 through 13.16:*

13.8 PROCUREMENT OF MATERIALS BY OWNER

The Contractor accepts assignment of all purchase orders and other agreements for procurement of materials and equipment by the Owner that are identified as part of the Contract Documents. The Contractor shall, upon delivery, be responsible for the storage, protection, proper installation, and preservation of such Owner purchased items, if any, as if the Contractor were the original purchaser. The Contract Sum includes, without limitation, all costs and expenses in connection with delivery, storage, insurance, installation, and testing of items covered in any assigned purchase orders or agreements. Unless the Contract Documents specifically provide otherwise, all Contractor warranty of workmanship and correction of the Work obligations under the Contract Documents shall apply to the Contractor's installation of and modifications to any Owner purchased items,.

13.9 INTERPRETATION OF BUILDING CODES

As required by Title 10, Chapter 1, Section 180 of the South Carolina Code of Laws, as amended, OSE shall determine the enforcement and interpretation of all building codes and referenced standards on state buildings. The Contractor shall refer any questions, comments, or directives from local officials to the Owner and OSE for resolution.

OSE FORM 00811

STANDARD SUPPLEMENTARY CONDITIONS

13.10 MINORITY BUSINESS ENTERPRISES

Contractor shall notify Owner of each Minority Business Enterprise (MBE) providing labor, materials, equipment, or supplies to the Project under a contract with the Contractor. Contractor's notification shall be via the first monthly status report submitted to the Owner after execution of the contract with the MBE. For each such MBE, the Contractor shall provide the MBE's name, address, and telephone number, the nature of the work to be performed or materials or equipment to be supplied by the MBE, whether the MBE is certified by the South Carolina Office of Small and Minority Business Assistance, and the value of the contract.

13.11 SEVERABILITY

If any provision or any part of a provision of the Contract Documents shall be finally determined to be superseded, invalid, illegal, or otherwise unenforceable pursuant to any applicable Legal Requirements, such determination shall not impair or otherwise affect the validity, legality, or enforceability of the remaining provision or parts of the provision of the Contract Documents, which shall remain in full force and effect as if the unenforceable provision or part were deleted.

13.12 ILLEGAL IMMIGRATION

Contractor certifies and agrees that it will comply with the applicable requirements of Title 8, Chapter 14 of the South Carolina Code of Laws and agrees to provide to the State upon request any documentation required to establish either: (a) that Title 8, Chapter 14 is inapplicable both to Contractor and its subcontractors or sub-subcontractors; or (b) that Contractor and its subcontractors or sub-subcontractors are in compliance with Title 8, Chapter 14. Pursuant to Section 8-14-60, "A person who knowingly makes or files any false, fictitious, or fraudulent document, statement, or report pursuant to this chapter is guilty of a felony, and, upon conviction, must be fined within the discretion of the court or imprisoned for not more than five years, or both." Contractor agrees to include in any contracts with its subcontractors language requiring its subcontractors to (a) comply with the applicable requirements of Title 8, Chapter 14, and (b) include in their contracts with the sub-subcontractors language requiring the sub-subcontractors to comply with the applicable requirements of Title 8, Chapter 14. (An overview is available at www.procurement.sc.gov)

13.13 SETOFF

The Owner shall have all of its common law, equitable, and statutory rights of set-off.

13.14 DRUG-FREE WORKPLACE

The Contractor certifies to the Owner that Contractor will provide a Drug-Free Workplace, as required by Title 44, Chapter 107 of the South Carolina Code of Laws, as amended.

13.15 FALSE CLAIMS

According to the S.C. Code of Laws § 16-13-240, "a person who by false pretense or representation obtains the signature of a person to a written instrument or obtains from another person any chattel, money, valuable security, or other property, real or personal, with intent to cheat and defraud a person of that property is guilty" of a crime.

13.16 NON-INDEMNIFICATION:

Any term or condition is void to the extent it requires the State to indemnify anyone. It is unlawful for a person charged with disbursements of state funds appropriated by the General Assembly to exceed the amounts and purposes stated in the appropriations. (§ 11-9-20) It is unlawful for an authorized public officer to enter into a contract for a purpose in which the sum is in excess of the amount appropriated for that purpose. It is unlawful for an authorized public officer to divert or appropriate the funds arising from any tax levied and collected for any one fiscal year to the payment of an indebtedness contracted or incurred for a previous year. (§ 11-1-40)

3.111 *Delete Section 14.1.1 and substitute the following:*

14.1.1 The Contractor may terminate the Contract if the Work is stopped for a period of 45 consecutive days through no act or fault of the Contractor or a Subcontractor, Sub-subcontractor or their agents or employees or any other persons or entities performing portions of the Work under direct or indirect contract with the Contractor, for any of the following reasons:

- .1 Issuance of an order of a court or other public authority having jurisdiction that requires substantially all Work to be stopped; or

OSE FORM 00811

STANDARD SUPPLEMENTARY CONDITIONS

- .2 An act of government, such as a declaration of national emergency that requires substantially all Work to be stopped.
- .3 Because the Architect has not issued a Certificate for Payment and has not notified the Contractor of the reason for withholding certification as provided in Section 9.4.1, or because the Owner has not made payment on a Certificate for Payment within the time stated in the Contract Documents and the Contractor has stopped work in accordance with Section 9.7

3.112 *Insert the following at the end of Section 14.1.3:*

Any adjustment to the Contract Sum pursuant to this Section shall be made in accordance with the requirements of Article 7.

3.113 *In Section 14.1.4, replace the word "repeatedly" with the word "persistently."*

3.114 *Delete Section 14.2.1 and substitute the following:*

14.2.1 The Owner may terminate the Contract if the Contractor

- .1 repeatedly refuses or fails to supply enough properly skilled workers or proper materials, or otherwise fails to prosecute the Work, or any separable part of the Work, with the diligence, resources and skill that will ensure its completion within the time specified in the Contract Documents, including any authorized adjustments;
- .2 fails to make payment to Subcontractors for materials or labor in accordance with the Contract Documents and the respective agreements between the Contractor and the Subcontractors;
- .3 repeatedly disregards applicable laws, statutes, ordinances, codes, rules and regulations, or lawful orders of a public authority; or
- .4 otherwise is guilty of substantial breach of a provision of the Contract Documents.

3.115 *In Section 14.2.2, delete the parenthetical statement " , upon certification by the Initial Decision Maker that sufficient cause exists to justify such action," immediately following the word "Owner" in the first line.*

3.116 *In Section 14.2.4, replace the words "Initial Decision Maker" with the word "Architect"*

3.117 *Add the following Section 14.2.5:*

14.2.5 If, after termination for cause, it is determined that the Owner lacked justification to terminate under Section 14.2.1, or that the Contractor's default was excusable, the rights and obligations of the parties shall be the same as if the termination had been issued for the convenience of the Owner under Section 14.4.

3.118 *Delete the second sentence of Section 14.3.2 and substitute the following:*

Any adjustment to the Contract Sum made pursuant to this section shall be made in accordance with the requirements of Article 7.3.3.

3.119 *Delete Section 14.4.1 and substitute the following:*

14.4.1 The Owner may, at any time, terminate the Contract, in whole or in part for the Owner's convenience and without cause. The Owner shall give written notice of the termination to the Contractor specifying the part of the Contract terminated and when termination becomes effective.

3.120 *Delete Section 14.4.2 and substitute the following:*

14.4.2 Upon receipt of written notice from the Owner of such termination for the Owner's convenience, the Contractor shall

- .1 cease operations as directed by the Owner in the notice;
- .2 take actions necessary, or that the Owner may direct, for the protection and preservation of the Work;

OSE FORM 00811

STANDARD SUPPLEMENTARY CONDITIONS

- .3 except for Work directed to be performed prior to the effective date of termination stated in the notice, terminate all existing subcontracts and purchase orders and enter into no further subcontracts and purchase orders; and
- .4 complete the performance of the Work not terminated, if any.

3.121 *Delete Section 14.4.3 and substitute the following:*

14.4.3 In case of such termination for the Owner’s convenience, the Contractor shall be entitled to receive payment for Work executed, costs incurred by reason of such termination, and any other adjustments otherwise allowed by the Contract. Any adjustment to the Contract Sum made pursuant to this Section 14.4 shall be made in accordance with the requirements of Article 7.3.3.

3.122 *Add the following Sections 14.4.4, 14.4.5, and 14.5:*

14.4.4 Contractor's failure to include an appropriate termination for convenience clause in any subcontract shall not (i) affect the Owner's right to require the termination of a subcontract, or (ii) increase the obligation of the Owner beyond what it would have been if the subcontract had contained an appropriate clause.

14.4.5 Upon written consent of the Contractor, the Owner may reinstate the terminated portion of this Contract in whole or in part by amending the notice of termination if it has been determined that:

- .1 the termination was due to withdrawal of funding by the General Assembly, Governor, or Budget and Control Board or the need to divert project funds to respond to an emergency as defined by Regulation 19-445.2110(B) of the South Carolina Code of Regulations, as amended;
- .2 funding for the reinstated portion of the work has been restored;
- .3 circumstances clearly indicate a requirement for the terminated work; and
- .4 reinstatement of the terminated work is advantageous to the Owner.

14.5 CANCELLATION AFTER AWARD BUT PRIOR TO PERFORMANCE

Pursuant to Title 11, Chapter 35 and Regulation 19-445.2085 of the South Carolina Code of Laws and Regulations, as amended, this contract may be canceled after award but prior to performance.

3.123 *Insert the following sentence after the second sentence of Section 15.1.1:*

A voucher, invoice, payment application or other routine request for payment that is not in dispute when submitted is not a Claim under this definition.

3.124 *Delete Section 15.1.2 and substitute the following:*

15.1.2 NOTICE OF CLAIMS

Claims by either the Owner or Contractor must be initiated by written notice to the other party and to the Architect. Such notice shall include sufficient information to advise the Architect and other party of the circumstances giving rise to the claim, the specific contractual adjustment or relief requested and the basis of such request. Claims by either party arising prior to the date final payment is due must be initiated within 21 days after occurrence of the event giving rise to such Claim or within 21 days after the claimant first recognizes the condition giving rise to the Claim, whichever is later except as stated for adverse weather days in Section 15.1.5.2. By failing to give written notice of a Claim within the time required by this Section, a party expressly waives its claim.

3.125 *Delete Section 15.1.3 and substitute the following:*

15.1.3 CONTINUING CONTRACT PERFORMANCE

Pending final resolution of a Claim, including any administrative review allowed under Section 15.6, except as otherwise agreed in writing or as provided in Section 9.7 and Article 14, the Contractor shall proceed diligently with performance of the Contract and the Owner shall continue to make payments in accordance with the Contract Documents. The Architect will issue Certificates for Payment in accordance with the initial decisions and determinations of the Architect.

OSE FORM 00811

STANDARD SUPPLEMENTARY CONDITIONS

3.126 *Insert the following at the end of Section 15.1.5.1:*

Claims for an increase in the Contract Time shall be based on one additional calendar day for each full calendar day that the Contractor is prevented from working.

3.127 *Insert the following Sub-Sections at the end of Section 15.1.5.2:*

- .1 Claims for adverse weather shall be based on actual weather conditions at the job site or other place of performance of the Work, as documented in the Contractor's job site log.
- .2 For the purpose of this Contract, a total of five (5) calendar days per calendar month (non-cumulative) shall be anticipated as "adverse weather" at the job site, and such time will not be considered justification for an extension of time. If, in any month, adverse weather develops beyond the five (5) days, the Contractor shall be allowed to claim additional days to compensate for the excess weather delays only to the extent of the impact on the approved construction schedule. The remedy for this condition is for an extension of time only and is exclusive of all other rights and remedies available under the Contract Documents or imposed or available by law.
- .3 The Contractor shall submit monthly with their pay application all claims for adverse weather conditions that occurred during the previous month. The Architect shall review each monthly submittal in accordance with Section 15.5 and inform the Contractor and the Owner promptly of its evaluation. Approved days shall be included in the next Change Order issued by the Architect. Adverse weather conditions not claimed within the time limits of this Subparagraph shall be considered to be waived by the Contractor. Claims will not be allowed for adverse weather days that occur after the scheduled (original or adjusted) date of Substantial Completion.

3.128 *Delete Section 15.1.6 and substitute the following:*

15.1.6 CLAIMS FOR LISTED DAMAGES

Notwithstanding any other provision of the Contract Documents, including Section 1.2.1, but subject to a duty of good faith and fair dealing, the Contractor and Owner waive Claims against each other for listed damages arising out of or relating to this Contract.

15.1.6.1 For the Owner, listed damages are (i) lost revenue and profit, (ii) losses resulting from injury to business or reputation, (iii) additional or escalated overhead and administration expenses, (iv) additional financing costs, (v) costs suffered by a third party unable to commence work, (vi) attorney's fees, (vii) any interest, except to the extent allowed by Section 13.6 (Interest), (viii) lost revenue and profit for lost use of the property, (ix) costs resulting from lost productivity or efficiency.

15.1.6.2 For the Contractor, listed damages are (i) lost revenue and profit, (ii) losses resulting from injury to business or reputation, (iii) additional or escalated overhead and administration expenses, (iv) additional financing costs, (v) attorney's fees, (vi) any interest, except to the extent allowed by Section 13.6 (Interest); (vii) unamortized equipment costs; and, (viii) losses incurred by subcontractors for the types of damages the Contractor has waive as against the Owner. Without limitation, this mutual waiver is applicable to all damages due to either party's termination in accordance with Article 14. Nothing contained in this Section shall be deemed to preclude an award of liquidated damages, when applicable, in accordance with the requirements of the Contract Documents. This mutual waiver is not applicable to amounts due or obligations under Section 3.18 (Indemnification).

3.129 *Add the following Section 15.1.7:*

15.1.7 WAIVER OF CLAIMS AGAINST THE ARCHITECT

Notwithstanding any other provision of the Contract Documents, including Section 1.2.1, but subject to a duty of good faith and fair dealing, the Contractor waives all claims against the Architect and any other design professionals who provide design and/or project management services to the Owner, either directly or as independent contractors or subcontractors to the Architect, for listed damages arising out of or relating to this Contract. The listed damages are (i) lost revenue and profit, (ii) losses resulting from injury to business or reputation, (iii) additional or escalated overhead and administration expenses, (iv) additional financing costs, (v)

OSE FORM 00811

STANDARD SUPPLEMENTARY CONDITIONS

attorney's fees, (vi) any interest; (vii) unamortized equipment costs; and, (viii) losses incurred by subcontractors for the types of damages the Contractor has waive as against the Owner. This mutual waiver is not applicable to amounts due or obligations under Section 3.18 (Indemnification).

3.130 *Delete the language of Sections 15.2, 15.3, and 15.4, including all Sub-Sections, and substitute the word "Reserved" for the deleted language of each Section and Sub-Section.*

3.131 *Add the following Sections 15.5 and 15.6 with their sub-sections:*

**15.5 CLAIM AND DISPUTES - DUTY OF COOPERATION, NOTICE, AND ARCHITECTS
INITIAL DECISION**

15.5.1 Contractor and Owner are fully committed to working with each other throughout the Project to avoid or minimize claims. To further this goal, Contractor and Owner agree to communicate regularly with each other and the Architect at all times notifying one another as soon as reasonably possible of any issue that if not addressed may cause loss, delay, and/or disruption of the Work. If claims do arise, Contractor and Owner each commit to resolving such claims in an amicable, professional, and expeditious manner to avoid unnecessary losses, delays, and disruptions to the Work.

15.5.2 Claims shall first be referred to the Architect for initial decision. An initial decision shall be required as a condition precedent to resolution pursuant to Section 15.6 of any Claim arising prior to the date of final payment, unless 30 days have passed after the Claim has been referred to the Architect with no decision having been rendered, or after all the Architect's requests for additional supporting data have been answered, whichever is later. The Architect will not address claims between the Contractor and persons or entities other than the Owner.

15.5.3 The Architect will review Claims and within ten days of the receipt of a Claim (1) request additional supporting data from the claimant or a response with supporting data from the other party or (2) render an initial decision in accordance with Section 15.5.5.

15.5.4 If the Architect requests a party to provide a response to a Claim or to furnish additional supporting data, such party shall respond, within ten days after receipt of such request, and shall either (1) provide a response on the requested supporting data, (2) advise the Architect when the response or supporting data will be furnished or (3) advise the Architect that all supporting data has already been provided. Upon receipt of the response or supporting data, the Architect will render an initial decision in accordance with Section 15.5.5.

15.5.5 The Architect will render an initial decision in writing; (1) stating the reasons therefor; and (2) notifying the parties of any change in the Contract Sum or Contract Time or both. The Architect will deliver the initial decision to the parties within two weeks of receipt of any response or supporting data requested pursuant to Section 16.4, or within such longer period as may be mutually agreeable to the parties. If the parties accept the initial decision, the Architect shall prepare a Change Order with appropriate supporting documentation for the review and approval of the parties and the Office of State Engineer. If either the Contractor, Owner, or both, disagree with the initial decision, the Contractor and Owner shall proceed with dispute resolution in accordance with the provisions of Section 15.6.

15.5.6 In the event of a Claim against the Contractor, the Owner may, but is not obligated to, notify the surety, if any, of the nature and amount of the Claim. If the Claim relates to a possibility of a Contractor's default, the Owner may, but is not obligated to, notify the surety and request the surety's assistance in resolving the controversy.

15.6 DISPUTE RESOLUTION

15.6.1 If a claim is not resolved pursuant to Section 15.5 to the satisfaction of either party, both parties shall attempt to resolve the dispute at the field level through discussions between Contractor's Representative and Owner's Representative. If a dispute cannot be resolved through Contractor's Representative and Owner's Representative, then the Contractor's Senior Representative and the Owner's Senior Representative, upon the request of either party, shall meet as soon as conveniently possible, but in no case later than twenty-one days after such a request is made, to attempt to resolve such dispute. Prior to any meetings between the Senior Representatives, the parties will exchange relevant information that will assist the parties in resolving their dispute. The meetings required by this Section are a condition precedent to resolution pursuant to Section 15.6.2.

OSE FORM 00811

STANDARD SUPPLEMENTARY CONDITIONS

15.6.2 If after meeting in accordance with the provisions of Section 15.6.1, the Senior Representatives determine that the dispute cannot be resolved on terms satisfactory to both the Contractor and the Owner, then either party may submit the dispute by written request to South Carolina's Chief Procurement Officer for Construction (CPOC). Except as otherwise provided in Article 15, all claims, claims, or controversies relating to the Contract shall be resolved exclusively by the appropriate Chief Procurement Officer in accordance with Title 11, Chapter 35, Article 17 of the South Carolina Code of Laws, or in the absence of jurisdiction, only in the Court of Common Pleas for, or in the absence of jurisdiction a federal court located in, Richland County, State of South Carolina. Contractor agrees that any act by the State regarding the Contract is not a waiver of either the State's sovereign immunity or the State's immunity under the Eleventh Amendment of the United State's Constitution.

15.6.3 If any party seeks resolution to a dispute pursuant to Section 15.6.2, the parties shall participate in non-binding mediation to resolve the claim. If the claim is governed by Title 11, Chapter 35, Article 17 of the South Carolina Code of Laws as amended and the amount in controversy is \$100,000.00 or less, the CPOC shall appoint a mediator, otherwise, the mediation shall be conducted by an impartial mediator selected by mutual agreement of the parties, or if the parties cannot so agree, a mediator designated by the American Arbitration Association ("AAA") pursuant to its Construction Industry Mediation Rules. The mediation will be governed by and conducted pursuant to a mediation agreement negotiated by the parties or, if the parties cannot so agree, by procedures established by the mediator.

15.6.4 Without relieving any party from the other requirements of Sections 15.5 and 15.6, either party may initiate proceedings in the appropriate forum prior to initiating or completing the procedures required by Sections 15.5 and 15.6 if such action is necessary to preserve a claim by avoiding the application of any applicable statutory period of limitation or repose.

15.6.5 SERVICE OF PROCESS

Contractor consents that any papers, notices, or process necessary or proper for the initiation or continuation of any claims, claims, or controversies relating to the Contract; for any court action in connection therewith; or for the entry of judgment on any award made, may be served on Contractor by certified mail (return receipt requested) addressed to Contractor at the address provided for the Contractor's Senior Representative or by personal service or by any other manner that is permitted by law, in or outside South Carolina. Notice by certified mail is deemed duly given upon deposit in the United States mail.

3.132 *Add the following Article 16:*

ARTICLE 16 PROJECT-SPECIFIC REQUIREMENTS AND INFORMATION

16.1. Inspection Requirements: *(Indicate the inspection services required by the Contract)*

- Special Inspections are required and are not part of the Contract Sum. *(see section 01400)*
- Building Inspections are required and are not part of the Contract Sum. *(see section 01400)*
- Building Inspections are required and are part of the Contract Sum. The inspections required for this Work

are : *(Indicate which services are required and the provider)*

- Civil: _____
- Structural: _____
- Mechanical: _____
- Plumbing: _____
- Electrical: _____
- Gas: _____
- Other *(list)*: _____

Remarks: Refer to Specifications

STANDARD SUPPLEMENTARY CONDITIONS

16.1.1 Contractor shall schedule and request inspections in an orderly and efficient manner and shall notify the Owner whenever the Contractor schedules an inspection in accordance with the requirements of Section 16.1. Contractor shall be responsible for the cost of inspections scheduled and conducted without the Owner's knowledge and for any increase in the cost of inspections resulting from the inefficient scheduling of inspections.

16.2 List Cash Allowances, if any. *(Refer to attachments as needed. If none, enter NONE)*

NONE

16.3. Requirements for Record Drawings, if any. *(Refer to attachments as needed. If none, enter NONE)*

Refer to specifications

16.4. Requirements for Shop Drawings and other submittals, if any, including number, procedure for submission, list of materials to be submitted, etc. *(Refer to attachments as needed. If none, enter NONE)*

Refer to specifications

16.5. Requirements for signage, on-site office or trailer, utilities, restrooms, etc., in addition to the Contract, if any. *(Refer to attachments as needed. If none, enter NONE)*

Refer to specifications

16.6. Requirements for Project Cleanup in addition to the Contract, if any. *(Refer to attachments as needed. If none, enter NONE)*

Refer to specifications

16.7. List all attachments that modify these General Conditions. *(If none, enter NONE)*

NONE

Certificate of Independent Price Determination (May 2008)

GIVING FALSE, MISLEADING, OR INCOMPLETE INFORMATION ON THIS CERTIFICATION MAY RENDER YOU SUBJECT TO PROSECUTION UNDER SECTION 16-9-10 OF THE SOUTH CAROLINA CODE OF LAWS AND OTHER APPLICABLE LAWS.

(a) By submitting an offer, the offeror certifies that—

(1) The prices in this offer have been arrived at independently, without, for the purpose of restricting competition, any consultation, communication, or agreement with any other offeror or competitor relating to—

- (i) Those prices;
- (ii) The intention to submit an offer; or
- (iii) The methods or factors used to calculate the prices offered.

(2) The prices in this offer have not been and will not be knowingly disclosed by the offeror, directly or indirectly, to any other offeror or competitor before bid opening (in the case of a sealed bid solicitation) or contract award (in the case of a negotiated solicitation) unless otherwise required by law; and

(3) No attempt has been made or will be made by the offeror to induce any other concern to submit or not to submit an offer for the purpose of restricting competition.

(b) Each signature on the offer is considered to be a certification by the signatory that the signatory—

(1) Is the person in the offeror's organization responsible for determining the prices being offered in this bid or proposal, and that the signatory has not participated and will not participate in any action contrary to paragraphs (a)(1) through (a)(3) of this certification; or

(2)(i) Has been authorized, in writing, to act as agent for the offeror's principals in certifying that those principals have not participated, and will not participate in any action contrary to paragraphs (a)(1) through (a)(3) of this certification [As used in this subdivision (b)(2)(i), the term "principals" means the person(s) in the offeror's organization responsible for determining the prices offered in this bid or proposal];

(ii) As an authorized agent, does certify that the principals referenced in subdivision (b)(2)(i) of this certification have not participated, and will not participate, in any action contrary to paragraphs (a)(1) through (a)(3) of this certification; and

(iii) As an agent, has not personally participated, and will not participate, in any action contrary to paragraphs (a)(1) through (a)(3) of this certification.

(c) If the offeror deletes or modifies paragraph (a)(2) of this certification, the offeror must furnish with its offer a signed statement setting forth in detail the circumstances of the disclosure. [02-2A032-1]

**USC SUPPLEMENTAL GENERAL CONDITIONS
FOR CONSTRUCTION PROJECTS**

1. Contractor's employees shall take all reasonable means not to interrupt the flow of student traffic in building corridors, lobbies and stairs. All necessary and reasonable safety precautions shall be taken to prevent injury to building occupants while transporting materials and equipment through the building to the work area. Providing safe, accessible, plywood pedestrian ways around construction may be required if a suitable alternative route is not available.
2. Fraternalization between Contractor's employees and USC students, faculty or staff is strictly prohibited-zero tolerance!
3. USC will not tolerate rude, abusive or degrading behavior on the job site. Heckling and cat-calling directed toward students, faculty or staff or any other person on USC property is strictly prohibited. Any contractor whose employees violate this requirement will be assessed a fine of up to \$500 per violation.
4. Contractor's employees must adhere to the University's policy of maintaining a drug-free and smoke-free/tobacco free workplace.
5. Contractor must sign a Contractor Key Receipt/Return form before any keys are issued. Keys must be returned immediately upon the completion of the work. The Contractor will bear the cost of any re-keying necessary due to the loss of or failure to return keys.
6. A welding permit must be issued by the University Fire Marshall before any welding can begin inside a building. Project Manager will coordinate.
7. Contractor must notify the University immediately upon the discovery of suspect material such as those potentially containing asbestos or other such hazardous materials. These materials must not be disturbed until approved by the USC Project Manager.
8. At the beginning of the project, the USC Project Manager will establish the Contractor's lay-down area. This area will also be used for the Contractor's work vehicles. No personal vehicles will be allowed in this area, or in any areas surrounding the construction site that are not regular or authorized parking lots. Personal vehicles must be parked in the perimeter parking lots. Parking permits can be obtained at the USC Parking Office located in the Pendleton Street parking garage. The lay down area will be clearly identified to the contractor by the PM, with a sketch or drawing provided to Parking. In turn, the contractor will mark off this area with a sign containing the project name, PM name, Contractor name and contact number, and end date. Where this area is subject to foot traffic, protective barriers will be provided as specified by the PM. The area will be maintained in a neat and orderly fashion. Vehicles parked in the lay down area (or designated parking areas) will be clearly marked or display a CPC furnished placard for identification.

9. Contractor will be responsible for providing its own temporary toilet facilities, unless prior arrangements are made with the USC Project Manager.
10. Use of USC communications facilities (telephones, computers, etc.) by the Contractor is prohibited, unless prior arrangements are made with the USC Project Manager.
11. For all projects over \$100,000, including IDC' s, an SE-395, Contractor Performance Evaluation, will be completed by the USC Project Manager and reviewed with the GC at the beginning of the project and a copy given to the GC. At the end of the project the form will be completed and a Construction Performance rating will be established.
12. Contractor is responsible for removal of all debris from the site, and is required to provide the necessary dumpsters which will be emptied at least one times per week. Construction waste must not be placed in University dumpsters. THE CONSTRUCTION SITE MUST BE THOROUGHLY CLEANED WITH ALL TRASH PICKED UP AND PROPERLY DISPOSED OF ON A DAILY BASIS AND THE SITE MUST BE LEFT IN A SAFE AND SANITARY CONDITION EACH DAY. THE UNIVERSITY WILL INSPECT JOB SITES REGULARLY AND WILL FINE ANY CONTRACTOR FOUND TO BE IN VIOLATION OF THIS REQUIREMENT AN AMOUNT OF UP TO \$1,000 PER VIOLATION.
13. **Contractor must provide all O&M manuals, as-built drawings, and training of USC personnel on new equipment, controls, etc. prior to Substantial Completion. Final payment will not be made until this is completed.**
14. Tree protection fencing is required to protect existing trees and other landscape features to be preserved within a construction area. The limits of this fence will be evaluated for each situation with the consultant, USC Arborist and USC Project Manager. The tree protection fence shall be 5' high chain link fence unless otherwise approved by USC Project Manager. No entry or materials storage will be allowed inside the tree protection zone. A 4" layer of mulch shall be placed over the tree protection area to maintain moisture in the root zone.
15. Where it is necessary to cross walks, tree root zones (i.e., under canopy) or lawns the following measures shall be taken: For single loads up to 9,000 lbs., a 3/4" minimum plywood base shall be placed over areas impacted. For single loads over 9,000 lbs., two layers of 3/4" plywood is required.
16. For projects requiring heavy loads to cross walks tree root zones or lawns. A construction entry road consisting of 10' X 16' oak logging mates on 12" coarse, chipped, hardwood base. Mulch and logging mats shall be supplemented throughout the project to keep matting structurally functional.
17. Any damage to existing landscaping (including lawn areas) will be remediated before final payment is made.
18. Orange safety fence to be provided by the contractor. (USC Arborist, Kevin Curtis may be contacted at 777-0033 or 315-0319)

Campus Vehicle Expectations

1. All motorized vehicles on the University campus are expected to travel and park on roadways and/or in parking stalls.
2. All motorized vehicle traffic on USC walkways must first receive the Landscape Manager=s authorization. Violators may be subject to fines and penalties.
3. All motorized vehicles that leak or drip liquids are prohibited from traveling or parking on walks or landscaped areas.
4. Contractors, vendors, and delivery personnel are required to obtain prior parking authorization before parking in a designated space. Violators may be subject to fines and/or penalties. See Item 10 below.
5. Drivers of equipment or motor vehicles that damage university hardscape or landscape will be held personally responsible for damages and restoration expense.
6. Vehicle drivers who park on landscape or drives must be able to produce written evidence of need or emergency requiring parking on same.
7. All vehicles parked on landscape, hardscape, or in the process of service delivery, must display adequate safety devices, i.e. flashing lights, cones, signage, etc.
8. All drivers of equipment and vehicles will be respectful of University landscape, equipment, structures, fixtures and signage.
9. All incidents of property damage will be reported to Parking Services or the Work Management Center.
10. Parking on campus is restricted to spaces designated by Parking Services at the beginning of the project. Once the project manager and contractor agree on how many spaces are needed, the project manager will obtain a placard for each vehicle. This placard must be hung from the mirror of the vehicle, otherwise a ticket will be issued and these tickets cannot be "fixed". Parking spaces are restricted to work vehicles only; no personal vehicles.

Project Name: USC Union Central Building Fan Coil Replacement

Project Number: H40-9507

University of South Carolina

CONTRACTOR'S ONE YEAR GUARANTEE

STATE OF _____

COUNTY OF _____

WE _____
as General Contractor on the above-named project, do hereby guarantee that all work executed under the requirements of the Contract Documents shall be free from defects due to faulty materials and /or workmanship for a period of one (1) year from date of acceptance of the work by the Owner and/or Architect/Engineer; and hereby agree to remedy defects due to faulty materials and/or workmanship, and pay for any damage resulting wherefrom, at no cost to the Owner, provided; however, that the following are excluded from this guarantee;

Defects or failures resulting from abuse by Owner.

Damage caused by fire, tornado, hail, hurricane, acts of God, wars, riots, or civil commotion.

[Name of Contracting Firm]

*By _____

Title _____

*Must be executed by an office of the Contracting Firm.

SWORN TO before me this _____ day of _____, 2____ (seal)

_____ State

My commission expires _____



**NONRESIDENT TAXPAYER REGISTRATION
AFFIDAVIT INCOME TAX WITHHOLDING**

Mail to: The company or individual you are contracting with.

The undersigned nonresident taxpayer on oath, being first duly sworn, hereby certifies as follows:

1. Name of Nonresident Taxpayer: _____

2. Trade Name, if applicable (doing business as):

3. Mailing Address: _____

4. Federal Employer Identification Number (FEIN): _____

5. _____ Hiring or Contracting with:
Name: _____

Address: _____

_____ Receiving Rentals or Royalties From:
Name: _____

Address: _____

_____ Beneficiary of Trusts and Estates:
Name: _____

Address: _____

6. I hereby certify that the above named nonresident taxpayer is currently registered with (check the appropriate box):

- The South Carolina Secretary of State or
- The South Carolina Department of Revenue

Date of Registration: _____

7. I understand that by this registration, the above named nonresident taxpayer has agreed to be subject to the jurisdiction of the South Carolina Department of Revenue and the courts of South Carolina to determine its South Carolina tax liability, including estimated taxes, together with any related interest and penalties.

8. I understand the South Carolina Department of Revenue may revoke the withholding exemption granted under Code Sections 12-8-550 (temporarily doing business or professional services in South Carolina), 12-8-540 (rentals), and 12-8-570 (distributions to nonresident beneficiary by trusts or estates) at any time it determines that the above named nonresident taxpayer is not cooperating with the Department in the determination of its correct South Carolina tax liability.

The undersigned understands that any false statement contained herein could be punished by fine, imprisonment or both.

Recognizing that I am subject to the criminal penalties under Code Section 12-54-44 (B) (6) (a) (i), I declare that I have examined this affidavit and to the best of my knowledge and belief, it is true, correct and complete.

Signature of Nonresident Taxpayer (Owner, Partner or Corporate Officer, when relevant) (Seal) _____ Date

If Corporate officer, state title: _____

(Name - Please Print)

INFORMATION
NONRESIDENT TAXPAYER REGISTRATION AFFIDAVIT

Submit this form to the company or individual you are contracting with.

Do not submit this form to South Carolina Department of Revenue.

PURPOSE OF AFFIDAVIT

A person is not required to withhold taxes for a nonresident taxpayer who submits an affidavit certifying that they are registered with either the South Carolina Secretary of State or the South Carolina Department of Revenue.

REQUIREMENTS TO MAKE WITHHOLDING PAYMENTS

Code Section 12-8-550 requires persons hiring or contracting with a nonresident taxpayer to withhold 2% of each payment made to the nonresident where the payments under the contract exceed \$10,000. However, this section does not apply to payments on purchase orders for tangible personal property when those payments are not accompanied by services to be performed in this state.

Code Section 12-8-540 requires persons making payment to a nonresident taxpayer of rentals or royalties at a rate of \$1,200 or more a year for the use of or for the privilege of using property in South Carolina to withhold 7% of the total of each payment made to a nonresident taxpayer who is not a corporation and 5% if the payment is made to a corporation.

Code Section 12-8-570 requires trusts or estates making distribution of South Carolina taxable income to a nonresident beneficiary to withhold 7% of the beneficiary's distribution which is attributable to South Carolina taxable income.

Our Internet address is: www.sctax.org

INCOME TAX CREDIT!!

Reference: SC §12-6-3350 – Income Tax Credit for State Contractors Having Subcontracts with MINORITY Firms

Taxpayers, who utilize certified minority subcontractors, may take a tax credit equal to 4% of the payments they make to said subcontractors. The payments claimed must be based on work performed directly for a South Carolina state contract. The credit is limited to a maximum of \$50,000 annually. A taxpayer is eligible to claim the credit for 10 taxable years beginning with the taxable year in which the credit is first claimed. After the above 10 taxable years, the taxpayer is no longer eligible for the credit regardless of whether or not the taxpayer claimed the credit in a year subsequent to the year in which the credit was first claimed.

The credit may be claimed on Form TC-2, "Minority Business Credit." A copy of the subcontractor's certificate from the Governor's Office of Small and Minority Business (OSMBA) is to be attached to the contractor's income tax return. Taxpayers must maintain evidence of work performed for a State contract by the minority subcontractor.

Questions regarding the tax credit and how to file are to be referred to:

SC Department of Revenue
Research and Review
Phone: (803) 898-5786
FAX: (803) 898-5888

References: SC §11-35-5010 – Definition for Minority Subcontractor
SC §11-35-5230 (B) – Regulations for Negotiating with State Minority Firms

The subcontractor must be certified as to the criteria of a "Minority Firm" by the Governor's Office of Small and Minority Business Assistance (OSMBA). Certificates are issued to subcontractors upon successful completion of the certification process. Questions regarding subcontractor certification are to be referred to:

Governor's Office of Small and
Minority Business Assistance
Phone: (803) 734-0657
FAX: (803) 734-2498

Product Summary

Product

Fan Coil Air Conditioning Units

Product Data

All Units

- Fan Coil
- Vertical cabinet
- 115v/60hz/1ph
- With piping, right hand connection
- Front toe space return
- Top quad grille supply
- Color to be selected from Standard Colors by the Architect
- Free discharge fan motor
- 3 row cooling, 1 row heating coil
- Automatic air vent
- With disconnect switch
- 1" throwaway filter
- 3 way, 2 position, normally open (28 psig) cooling control valve - Cv = 3.0
- Without auxiliary control valve
- Basic ball valves (supply & return)
- Tracer ZN 010
- Unit mounted temperature sensor (set point, OALMH)
- Condensate overflow detection

Fan Coil Air Conditioning Units (Basis of Design)

Item	Tag(s)	Qty	Description	Model Number
A1	4 pipe cl/ht	2	Fan Coil Air Conditioners (UniTrane)	FCBB1201J**A0G10AF-A00-- D1B0AEV0002000000000
A2	4 pipe cl/ht	10	Fan Coil Air Conditioners (UniTrane)	FCBB1001J**A0G10AF-A00-- D1B0AEV0002000000000

Fan Coil Replacement Locations in Central Building

First Floor

- Room 108 – 2 units
- Room 107 – 1 unit

Second Floor

- Room 209 – 2 units
- Room 208 – 1 unit
- Room 206 – 1 unit
- Hallway, by elevator – 1 unit
- Room 204 outer lobby – 1 unit
- Room 204D – 1 unit
- Room 204A – 2 units

Performance Data - Fan Coil Air Conditioning Units

Tags	4 pipe cl/ht	4 pipe cl/ht
Design airflow (cfm)	921	893
Total cooling capacity (MBh)	29.37	29.05
Sensible capacity (MBh)	20.50	20.22
Cooling EDB (F)	80.00	80.00
Cooling EWB (F)	67.00	67.00
Cooling LDB (F)	56.23	56.10
Cooling LWB (F)	55.19	55.08
Cooling ent fluid temp (F)	48.00	48.00
Cooling lvg fluid temp (F)	53.96	53.89
Cooling delta T (F)	5.96	5.89
Cooling flow rate (gpm)	10.00	10.00
Cooling fluid PD (ft H2O)	27.68	27.68
Fluid freeze pt (F)	32.00	32.00
Basis of selection	Cooling	Cooling
ESP (in H2O)	0.000	0.000
Motor power (W)	160.0	145.0
Motor speed	High	High
Motor rpm #1 (rpm)	1096	1083
Motor rpm #2 (rpm)	1092	1097
Motor hp #1 (hp)	0.220	0.220
Motor hp #2 (hp)	0.220	0.220
Min circuit ampacity (A)	6.97	6.97
Max fuse size (A)	15.00	15.00
Acoustics report	Standard data	Standard data
Total sound - 63 Hz (dB)	58	57
Total sound - 125 Hz (dB)	66	65
Total sound - 250 Hz (dB)	67	65
Total sound - 500 Hz (dB)	62	61
Total sound - 1 kHz (dB)	61	58
Total sound - 2 kHz (dB)	56	53
Total sound - 4 kHz (dB)	52	49
Total sound - 8 kHz (dB)	46	41
Unit length (in)	76.000	76.000
Unit width (in)	10.000	10.000
Unit height (in)	25.000	25.000
Shipping weight (lb)	181.6	161.6
Operating weight (lb)	199.6	179.6

Mechanical Specifications - Fan Coil Air Conditioning Units

Performance Data

Capacity: Unit capacities are certified under the Industry Room Fan Coil Air Conditioner Certification Program in accordance with AHRI standard 440-97.

Safety: All standard units are UL and CUL approved.

Unit Finish

All cabinet parts are cleaned, bonderized, phosphatized and painted with one of six decorator colors. Standard finish meets ASTM B117 specifications (salt spray test).

Fan

The galvanized steel fan wheels are centrifugal forward-curved and double-width. Fan wheels and housings are corrosion resistant. Fan housings are constructed of formed sheet metal.

Motor

All motors are Brushless DC (BLDC)/Electronically Commutated Motors (ECM) factory programmed and run tested in assembled units. The motor controller is mounted in a touch-safe control box with a built in integrated user interface and LED tachometer. If adjustments are needed, motor parameters can be adjusted through momentary contact switches accessible without factory service personnel on the motor control board.

Motors will soft ramp between speeds to lessen the acoustics due to sudden speed changes. Motors can be operated at three speeds or with a field supplied variable speed controller. The motor will choose the highest speed if there are simultaneous/conflicting speed request.

All motors have integral thermal overload protection with a maximum ambient operating temperature of 104F and are permanently lubricated. Motors are capable of starting at 50% percent of rated voltage and operating at 90 percent of rated voltage on all speed settings. Motors can operate up to 10 percent over voltage.

Coil

All water coils are burst tested at 450 PSIG (air) and leak tested at 100 PSIG (air under water). Maximum main coil working pressure is 300 PSIG. Maximum entering water temperature is 200 degrees F (93 degrees C). Tubes and U-bends are 3/8" (10 mm) O.D. copper. Fins are aluminum and are mechanically bonded to the copper tubes. Coil connections are 5/8" (16 mm) O.D. copper tubing.

Coil Air Vent - Auto

Auto air vents shall be provided and are rated to 125 psig.

Piping Package - 4-Pipe (RH)

Four-pipe, right-hand piping package is factory-tested and installed. All piping packages are burst tested at 450 PSIG (air) and leak tested at 100 PSIG (air under water). The interconnecting piping maximum working pressure is 300 PSIG.

Basic Ball Valves

Ball valve type end valves are mounted on the supply and return of the factory mounted piping packages. Any condensation from the piping package is designed to be collected by the auxiliary drain pan on fan coil units. Insulation of the piping package is not required. The ball valves are shut-off or stop type valves only. The maximum working pressure of the ball valve is 400 psig.

Main Control Valve

The piping package also includes a 3-way, normally open (spring-return) main control valve

mounted in the return line(s) of the factory-installed piping package. The 3-way valve package includes a balancing fitting in the bypass with a maximum working pressure of 150 psig. The valve is rated for a maximum pressure differential of 28 psig across the valve, and the maximum working pressure of the valve is 300 psig.

Installation Note

Unit leveling and drain line pitch: Set unit level by checking the casing. The Trane Company and the industry in general recommends a drain line pitch of 1" (25mm) drop per ten feet.

WARNING: Tighten all unions when piping units. Factory tightens unions, but they may loosen during shipping.

Unit-mounted Tracer ZN010 Zone Sensor

A unit mounted ZN010 zone sensor (Off/Auto/High/Med/Low & Setpoint Dial) is factory-mounted and wired with the fancoil unit. Also included is a 24 V control transformer that is factory mounted and wired in the control box. The unit requires only a single point power connection.

Tracer ZN010 Control Features

All ZN010 have the following control features:

Automatic Heat/Cool Mode Determination, Occupied/Unoccupied Operation, Random Start and Manual Output Test Function

All ZN010 include the following input/output abilities:

Binary Inputs: Low temperature detection, Condensate Overflow, Occupancy

Binary Outputs: Fan High, Medium, and/or Low, Cooling output, Heating output, Damper output

Analog Inputs: Zone temperature, Setpoint temperature, Fan mode switch, Entering water temperature, Discharge air temperature

Sequence of Operation with Valves

When the ZN010's switch is in the off position, the fan is off; control valves, but low air temperature detection is still active (must have a low limit sensor). The AUTO selection is used for fan cycling. The fan cycles with control valves to maintain setpoint temperature. In cooling mode, the fan cycles from off to medium and in heating mode it cycles from off to low (configurable for heating and cooling). When no heating or cooling is required, the fan is off. When the thermostat setting is in the Low/Med/High selection the fan will run continuously while the control valves cycle to maintain setpoint temperature.

Disconnect Switch

A unit mounted, non-fused disconnect switch is available as a standard option on all units.

End Pockets

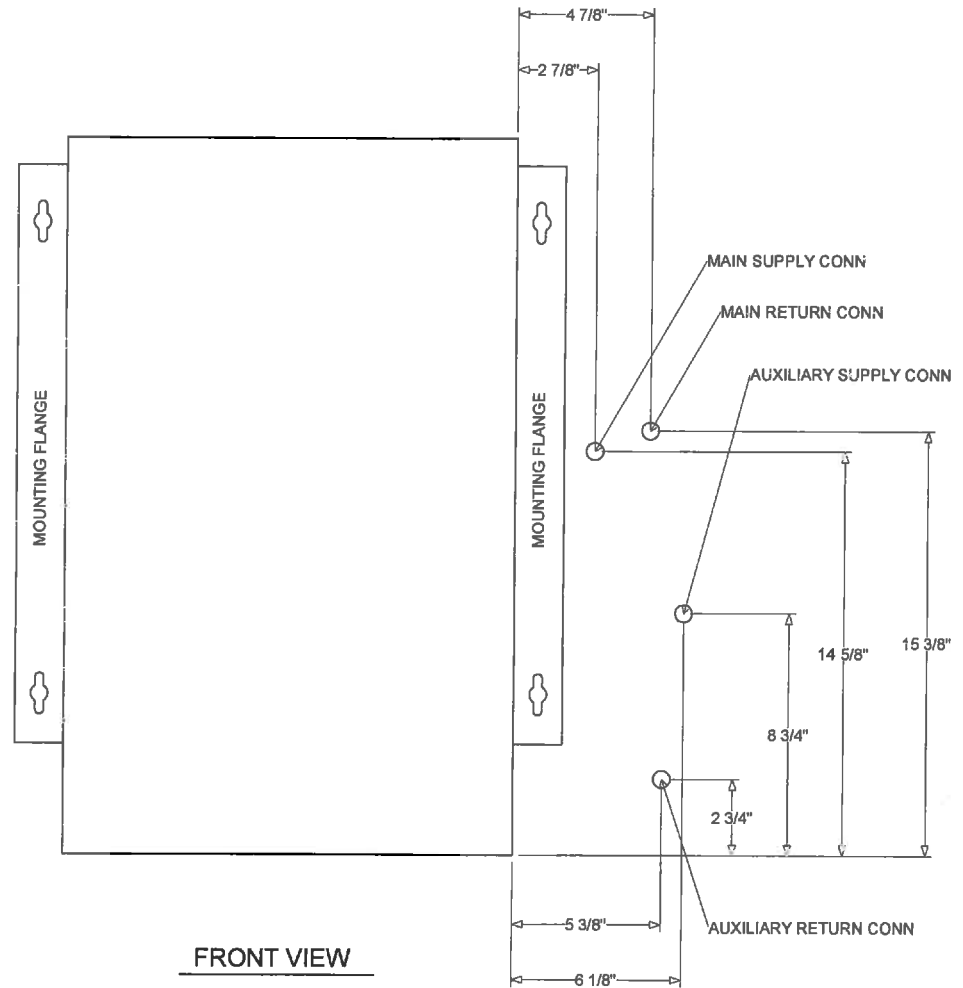
Standard end pockets are provided.

Throwaway Filters

The filter is concealed from sight and easily removable. A 1" throwaway filter is provided in the unit.

Condensate Overflow Sensor

This safety option de-energizes the system switch when the auxiliary drain pan is in danger of overflowing with condensate. This condition is indicated when the float switch rises to 50% of its travel, and the normally closed input latches open. The fan shuts off and any end devices (valves or actuators) go to their de-energized position. The float switch is provided at the auxiliary drain pan and factory-wired.



FRONT VIEW

NOTES:

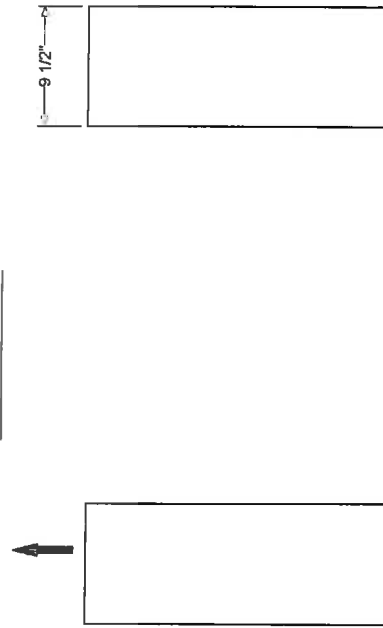
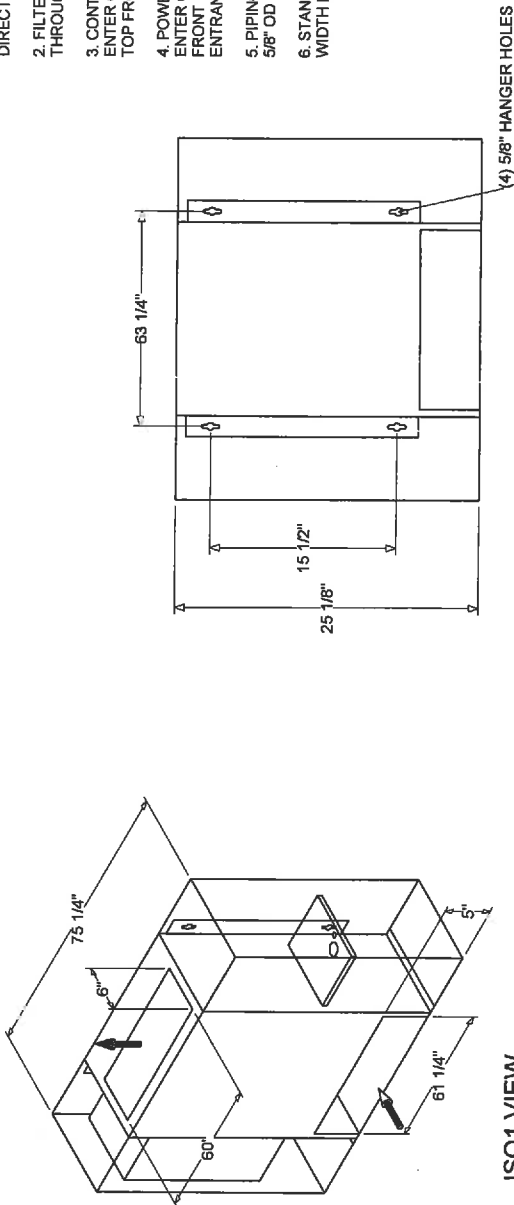
1. PIPING CONNECTIONS ARE 5/8" OUTSIDE DIAMETER COPPER.
2. LOCATING DIMENSIONS HAVE A PLUS OR MINUS 1" TOLERANCE.

Unit Dimensions - Fan Coil Air Conditioning Units

NOTES:

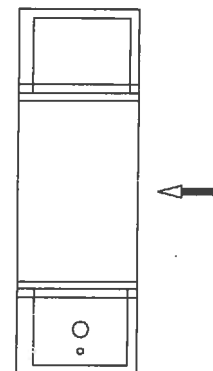
1. ARROW(S) INDICATE THE DIRECTION OF AIRFLOW.
2. FILTERS ARE ACCESSED THROUGH THE FRONT OF UNIT.
3. CONTROL WIRES SHOULD ENTER CONTROL BOX THROUGH TOP FRONT KNOCKOUT.
4. POWER WIRES ARE TO ENTER CONTROL BOX THROUGH FRONT BOTTOM CONDUIT ENTRANCE KNOCKOUTS.
5. PIPING CONNECTIONS ARE 5/8" OD COPPER.
6. STANDARD ENDPOCKET WIDTH IS 7".

UNIT WEIGHT
218.0 lb



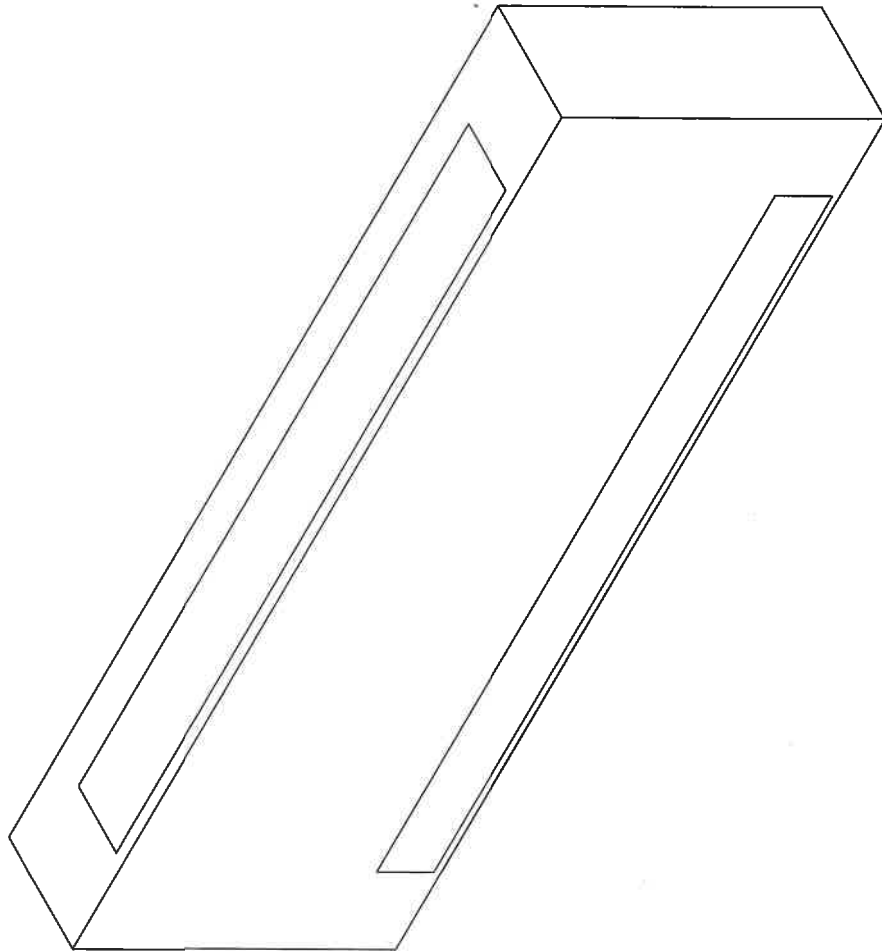
RIGHT VIEW

AUXILIARY DRAIN PAN CONN:
 MAIN: 7/8" OD TUBE & CLAMP
 SECONDARY: 3/8" ID TUBE



Unit Dimensions - Fan Coil Air Conditioning Units

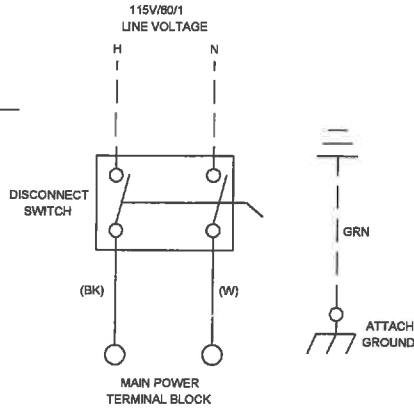
FAN COIL UNIT



Unit Dimensions - Fan Coil Air Conditioning Units

FAN COIL UNIT

POWER WIRING



NOTES:

1. ALL FIELD WIRING MUST BE IN ACCORDANCE WITH THE NATIONAL ELECTRIC CODE (NEC), STATE AND LOCAL REQUIREMENTS.
2. DASHED LINES INDICATE RECOMMENDED FIELD WIRING BY OTHERS. DASHED LINE ENCLOSURES AND / OR DASHED DEVICE OUTLINES INDICATE COMPONENTS PROVIDED BY THE FIELD. SOLID LINES INDICATE WIRING BY TRANE COMPANY.
3. CUSTOMER SUPPLIED FORM C DRY CONTACTS. FIELD WIRING SHOULD BE 16-22 AWG WITH A MAXIMUM LENGTH OF 1000 FT. DEFAULT SETTINGS: OPEN = OCCUPIED.

MCA: 6.97 A

MFS: 15.00 A

WARNING

HAZARDOUS VOLTAGE!
 DISCONNECT ALL ELECTRIC POWER INCLUDING REMOTE DISCONNECTS AND FOLLOW LOCK OUT AND TAG PROCEDURES BEFORE SERVICING. INSURE THAT ALL MOTOR CAPACITORS HAVE DISCHARGED (STORED) VOLTAGE. UNITS WITH VARIABLE SPEED DRIVES, REFER TO DRIVE INSTRUCTIONS FOR CAPACITOR DISCHARGE. FAILURE TO DO THE ABOVE BEFORE SERVICING COULD RESULT IN DEATH OR SERIOUS INJURY.

AVERTISSEMENT

TENSION DANGEREUSE!
 COUPER TOUTES LES TENSIONS ET OUIR LES SECTIONNEURS A DISTANCE. PUIS SUIVRE LES PROCEDURES DE VERROUILLAGE ET DES ETIQUETTES AVANT TOUTE INTERVENTION. VERIFIER QUE TOUTS LES CONDENSATEURS DES MOTEURS SONT DECHARGES. DANS LE CAS D'UNITES COMPORTANT DES ENTRAINEMENTS A VITESSE VARIABLE, SE REPORTER AUX INSTRUCTIONS DE L'ENTRAINEMENT POUR DECHARGER LES CONDENSATEURS. NE PAS RESPECTER CES MESURES DE PRECAUTION PEUT ENTRAÎNER DES BLESSURES GRAVES POUVANT ETRE MORTELLES.

ADVERTENCIA

¡VOLTAJE PELIGROSO!
 DESCONECTE TODA LA ENERGÍA ELÉCTRICA, INCLUIDO LAS DESCONEXIONES REMOTAS Y SIGA LOS PROCEDIMIENTOS DE CERRAJE Y ETIQUETADO ANTES DE PROCEDER AL SERVICIO. ASEGÚRESE DE QUE TODOS LOS CONDENSADORES DEL MOTOR HAYAN DESCARGADO EL VOLTAJE ALMACENADO. PARA LAS UNIDADES CON VEJER DE DIRECCIÓN DE VELOCIDAD VARIABLE, CONSULTE LAS INSTRUCCIONES PARA LA DESCARGA DEL CONDENSADOR. EL NO REALIZAR LO ANTERIORMENTE INDICADO, PODRÍA OCASIONAR LA MUERTE O SERIAS LESIONES PERSONALES.

NOTICE

USE COPPER CONDUCTORS ONLY!
 UNIT TERMINALS ARE NOT DESIGNED TO ACCEPT OTHER TYPES OF CONDUCTORS.
 FAILURE TO DO THE ABOVE COULD RESULT IN EQUIPMENT DAMAGE.

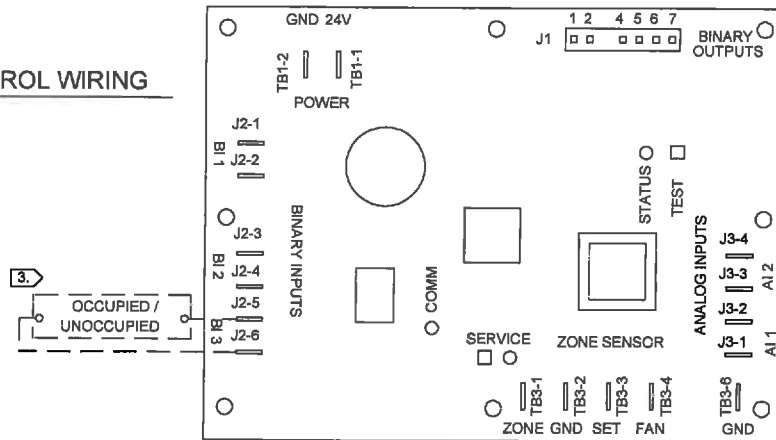
AVIS

UTILISER QUE DES CONDUCTEURS EN CUIVRE!
 LES BORNES DE L'UNITÉ NE SONT PAS CONÇUES POUR RECEVOIR D'AUTRES TYPES DE CONDUCTEURS.
 FAIRE DÉFAUT A LA PROCEDURE CI-DESSUS PEUT ENTRAÎNER DES DOMMAGES A L'EQUIPEMENT.

AVISO

¡UTILICE ÚNICAMENTE CONDUCTORES DE COBRE!
 LAS TERMINALES DE LA UNIDAD NO ESTÁN DISEÑADAS PARA ACEPTAR OTROS TIPOS DE CONDUCTORES.
 NO SEGUIR LAS INSTRUCCIONES ANTERIORES PUEDE PROVOCAR DAÑOS EN EL EQUIPO.

CONTROL WIRING



Field Wiring - Fan Coil Air Conditioning Units

FAN COIL UNIT

